

Shape Corp

Supplier EDI Specification



Despatch Advice

DESADV

EDIFACT DESADV D.97A

Shape Version 1.0
Final

DOCUMENT CHANGE LOG

Version	Date	Description
1.0	2019.6.24	Document issued.

0. TABLE OF CONTENT

0. TABLE OF CONTENT 2

1. INTRODUCTION..... 3

2. MESSAGE DEFINITION 3

2.1. FUNCTIONAL DEFINITION..... 3

2.2. PRINCIPLES 3

2.3. REFERENCES 4

2.4. FIELD OF APPLICATION..... 4

3. MESSAGE DESCRIPTION..... 4

3.1. INTRODUCTION 4

3.1.1. How to read the documentation..... 4

3.1.2. General remarks 6

3.2. SEGMENT TABLE..... 6

3.3. BRANCHING DIAGRAM..... 8

3.4. MESSAGE STANDARD DESCRIPTION 11

3.5. MESSAGE STRUCTURE..... 16

3.6. SERVICE SEGMENTS DESCRIPTION 17

3.7. DATA SEGMENTS DESCRIPTION 21

3.8. EXAMPLE OF MESSAGE..... 43

4. MESSAGE INFORMATION 50

4.1. PACKAGING INFORMATION 50

4.2. SEGMENTS REPERTORY..... 53

4.2.1. Segments in alphabetical sequence..... 53

4.2.2. Segments in segment tag sequence 53

4.3. DATA ELEMENTS REPERTORY 54

4.3.1. Service data elements in alphabetical sequence 54

4.3.2. Service data elements in tag sequence..... 55

4.3.3. Data elements in alphabetical sequence..... 55

4.3.4. Data elements in tag sequence 58

1. INTRODUCTION

This document provides the specific description of a subset of the EDIFACT DESADV D97.A message to be used between a Trading Partner and Shape.

2. MESSAGE DEFINITION

This document provides the definition of an Advanced Shipping Notification (ASN) or Despatch Advice Message, based on the EDIFACT DESADV D97.A, to be used in Electronic Data Interchange (EDI) between a Trading Partner and Shape.

This documentation is fully comprehensive and allows the implementation of the EDIFACT DESADV without the necessity for any additional standard related documentation.

2.1. FUNCTIONAL DEFINITION

The ASN/Despatch Advice message is a message from a Shape Supplier to the relevant Shape application. It gives information concerning material despatched to a Shape location as instructed by a previously received Delivery Instruction or Shipping Schedule message and in line with the conditions set out in the contract or order.

2.2. PRINCIPLES

The ASN/Despatch Advice message intends to:

- advise the recipient (Consignee) of the despatch of goods and to provide the details regarding the content of the consignment.
- allow the recipient (Consignee) to track material shipments and to prepare the physical receipt of the consignment.

An ASN/Despatch Advice message can relate to:

- different articles which may be packed differently (as instructed or agreed).
- articles covered by different Delivery Instruction and/or Stock Status messages.

The ASN/Despatch Advice message must always include the transportation information (e.g., weight, means of transport, etc.) related to the load advised.

As the information transmitted in the ASN/Despatch Advice is vital to ensure an efficient receipt of the material at the receiving plant and since, whenever a Consolidator is involved, this information needs to be consolidated with other messages. **Therefore it is mandatory that the ASN/Despatch Advice is sent immediately after the departure of the material.**

2.3. REFERENCES

The content of this message is based on:

- the message structure as defined by EDIFACT for the UNSM Despatch Advice Message DESADV as published in the UN/EDIFACT D97.A Directory.
- the agreement between the Trading Partners on the data elements to be used, their unique definition, their representation and their values (coded or clear form) as identified in this document.

2.4. FIELD OF APPLICATION

The following definition of an ASN/Despatch Advice Message in EDIFACT format is applicable for the interchange of shipping instructions issued by Shape for material deliveries to one or more Shape operations.

3. MESSAGE DESCRIPTION

Following pages contain a full description of the EDIFACT DESADV D97.A message as implemented by Shape. All segments are included regardless whether used or not used in the interchange with Shape. The official EDIFACT segment description is complemented with remarks pertaining to the specific requirements for an interchange with Shape. Those remarks contain specific code values used, additional information on the values shown in a specific field, etc.

3.1. INTRODUCTION

3.1.1. How to read the documentation

All segments in the subset used by Shape are described in the following pages. The segment description is to be read as follows:

①	0020	BGM - BEGINNING OF MESSAGE	
②	Segment group:	none.	Level: 1.
③	EDIFACT status:	mandatory.	Shape status: mandatory.
④	Maximum use:	1 per message.	Shape occurrences: 1 per message.
⑤	Function:	Segment for the unique identification of the delivery schedule document, by means of its name and its number.	
⑥	Shape interchange:	see remarks.	

⑥ Example: **BGM++123456+9'**
 A B

“+” separates segment sections; “:” separates elements within a segment section

EDIFACT STANDARD DEFINITION						SHAPE IMPLEMENTATION		
REF	TAG	NAME	ST	FT	SP	ST	FT	REMARKS
⑨	C002	<i>DOCUMENT/MESSAGE NAME</i>	C					
	1001	Document/message name, coded	C	an..3	:			
	1131	Code list qualifier	C	an..3	:			
	3055	Code list responsible agency, coded	C	an..3	:			
	1000	Document/message name	C	an..35	+			
	C106	<i>DOCUMENT/MESSAGE IDENTIFICATION</i>	C			M		
	A 1004	Document/message number	C	an..35	:	M	an..10	A unique control number, commonly called a Shipment Identification Number (SID), assigned by the original shipper to identify a specific shipment. This unique control number cannot be repeated within a one-year period. This number must be referenced on both the packing list and the bill of lading as the Shipment Identification Number (SID). The SID number will be used by SHAPE as the reference number on the payment remittance to the supplier.
	1056	Version	C	an..9	:			
	1060	Revision number	C	an..6	+			
	B 1225	MESSAGE FUNCTION, CODED	C	an..3	+	M	an..3	Function of the message. For code values see below. Note: “9” is currently the only code which Shape will automatically process.
4343	RESPONSE TYPE, CODED	C	an..3	'				

⑩ **COMMENTS**

⑩ **CODE VALUES**

LEGEND

- ① segment position in the message structure, segment tag and segment name.
- ② identification (when applicable) of the segment group in which the segment is situated and indication at which level the segment is in the message.
- ③ status of the segment: as defined by EDIFACT and by Shape.
- ④ number of occurrences of the segment: as defined by EDIFACT and as used by Shape.
- ⑤ description of the function of the segment as defined by EDIFACT and as used by Shape.
- ⑥ example of the segment as it may appear in an interchange. This example is only illustrative and does not necessarily represent an actual situation. It should **NOT** be used as a basis to implement this message.
- ⑦ definition of the segment content as defined by EDIFACT and as implemented by Shape.
- ⑧ identification of the data elements in the segment
 - reference to the example.
 - data element tag - data elements with a ‘C’ denote a composite data element.
 - data element name - *italic CAPITALS* denote a composite data element.
 - **ST** - the status of the data element.
 - **FT** - the format of the data element, i.e. the indication of the number of characters (numerical or alphabetical) for this data element.
 - **SP** - the separator used between the data elements.
 - remarks on the specific use of the data element in the interchange with Shape.
- ⑨ Shaded areas in the Shape description mean that Shape does not use the data elements.
- ⑩ the segment description can be followed by:
 - comments providing more information regarding specific data elements and how they must be used and/or understood in messages from Shape.
 - code values to be used for data elements contained in the message.

3.1.2. General remarks

Following remarks are applicable for the complete documentation:

Dates

Unless otherwise specified in the field explanation in the documentation, dates are always expressed as **CCYYMMDD** (qualifier 2379 = 102).

Times

Unless otherwise specified in the field explanation in the documentation, times are always expressed as **HHMM**.

Shape Status

Mandatory: All data elements Marked "Mandatory" should be returned in the DESADV

Conditional: All data elements Marked "Conditional" should be returned in DESADV if sent in the DELFOR / based on some conditions.

Optional: All data elements marked "Optional" may/may not be returned in the DESADV

3.2. SEGMENT TABLE

The following table shows the segments defined for the EDIFACT UNSM DESADV D97.A Despatch Advice message. Shaded areas identify the segments that are not used in the subset of DESADV used by Shape. This table, which should be read in conjunction with the branching diagram indicates the maximum number of occurrences for each segment.

POS.	TAG	NAME	ST	REPEATS
0010	UNH	Message header	M	1
0020	BGM	Beginning of message	M	1
0030	DTM	Date/time/period	C	10
0040	ALI	Additional information	C	5
0050	MEA	Measurements	C	5
0060	MOA	Monetary amount	C	5
0070		Segment group 1	C	10
0080	RFF	Reference	M	1
0090	DTM	Date/time/period	C	1
0100		Segment group 2	C	10
0110	NAD	Name and address	M	1
0120	LOC	Place/location identification	C	10
0130		Segment group 3	C	10
0140	RFF	Reference	M	1
0150	DTM	Date/time/period	C	1
0160		Segment group 4	C	10
0170	CTA	Contact information	M	1
0180	COM	Communication contact	C	5
0190		Segment group 5	M	10
0200	TOD	Terms of delivery or transport	M	1
0210	LOC	Place/location identification	C	5
0220	FTX	Free text	C	5
0230		Segment group 6	C	10
0240	TDT	Details of transport	M	1
0250	PCD	Percentage details	C	6
0260		Segment group 7	C	10
0270	LOC	Place/location identification	M	1
0280	DTM	Date/time/period	C	10
0290		Segment group 8	C	10

0300	EQD	Equipment details	M	1
0310	MEA	Measurements	C	5
0320	SEL	Seal number	C	25
0330	EQA	Attached equipment	C	5
0340		Segment group 9	M	10
0350	HAN	Handling instructions	M	1
0360	FTX	Free text	C	10

POS.	TAG	NAME	ST	REPEATS
0370		Segment group 10	C	499
0380	CPS	Consignment packing sequence	M	1
0390	FTX	Free text	C	5
0400		Segment group 11	C	9999
0410	PAC	Package	M	1
0420	MEA	Measurements	C	10
0430	QTY	Quantity	C	10
0440		Segment group 12	C	10
0450	HAN	Handling instructions	M	1
0460	FTX	Free text	C	10
0470		Segment group 13	M	1000
0480	PCI	Package identification	M	1
0490	RFF	Reference	C	1
0500	DTM	Date/time/period	C	5
0510	GIR	Related identification numbers	M	99
0520		Segment group 14	C	99
0530	GIN	Goods identity number	M	1
0540	DLM	Delivery limitations	C	10
0550		Segment group 15	C	499
0560	LIN	Line item	M	1
0570	PIA	Additional product id.	M	10
0580	IMD	Item description	C	25
0590	MEA	Monetary amount	C	10
0600	QTY	Quantity	C	10
0610	ALI	Additional information	C	10
0620	GIN	Goods identity number	C	100
0630	GIR	Related identification numbers	C	100
0640	DLM	Delivery limitations	C	100
0650	DTM	Date/time/period	C	5
0660	NAD	Name and address	C	5
0670	TDT	Details of transport	C	1
0680	HAN	Handling instructions	C	20
0690	FTX	Free text	C	99
0700	MOA	Monetary amount	C	5
0710		Segment group 16	C	99
0720	RFF	Reference	M	1
0730	NAD	Name and address	C	1
0740	CTA	Contact information	C	1
0750	DTM	Date/time/period	C	1
0760		Segment group 17	C	10
0770	DGS	Dangerous goods	M	1
0780	QTY	Quantity	C	1
0790	FTX	Free text	C	5
0800		Segment group 18	C	100
0810	LOC	Place/location identification	M	1
0820	NAD	Name and address	C	1
0830	DTM	Date/time/period	C	1
0840	QTY	Quantity	C	1
0850		Segment group 19	C	1000
0860	SGP	Split goods placement	M	1
0870	QTY	Quantity	C	10

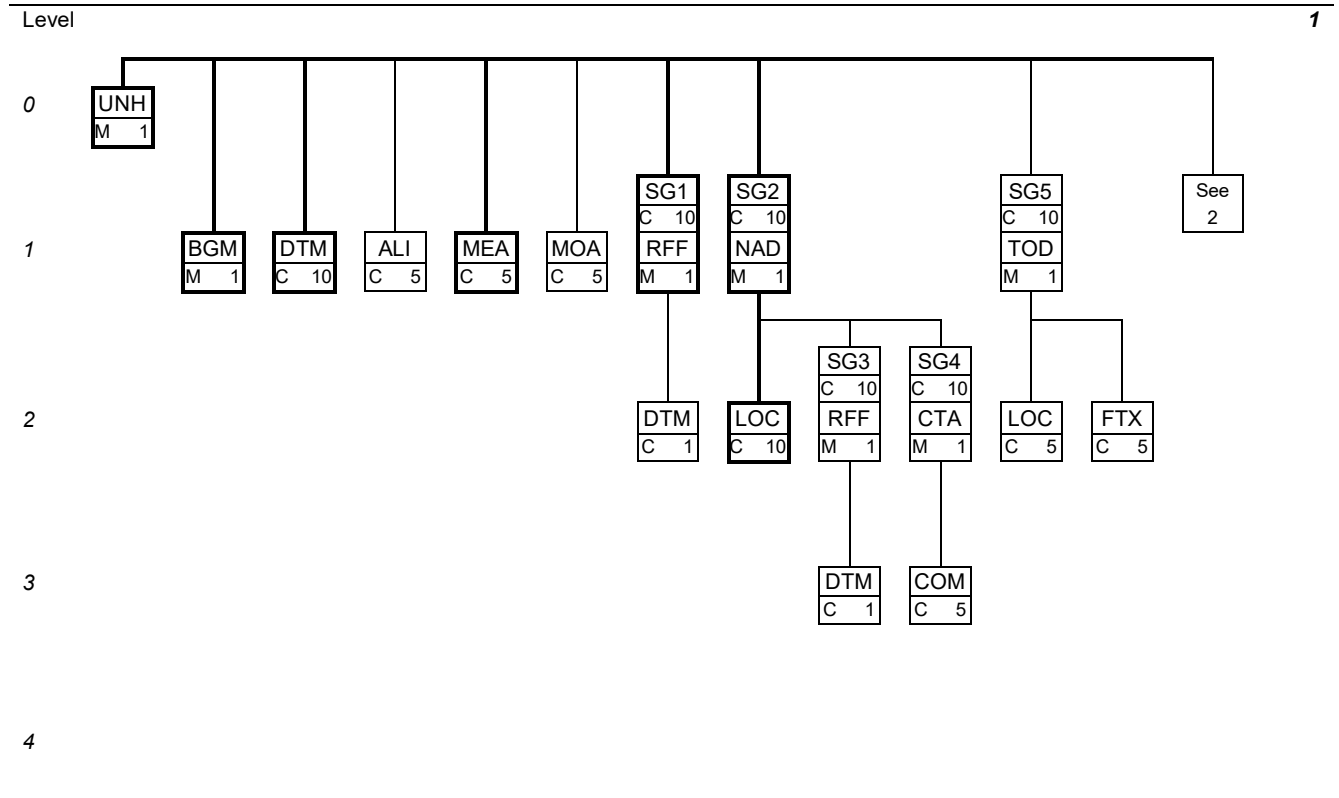
0880		Segment group 20	C	9999
0890	PCI	Package identification	M	1
0900	DTM	Date/time/period	C	5
0910	MEA	Measurements	C	10
0920	QTY	Quantity	C	1
0930		Segment group 21	C	10
0940	GIN	Goods identity number	M	1
0950	DLM	Delivery limitations	C	100
0960		Segment group 22	C	10
0970	HAN	Handling instructions	M	1
0980	FTX	Free text	C	5
0990	GIN	Goods identity number	C	1000
1000		Segment group 23	C	10
1010	QVR	Quantity variances	M	1
1020	DTM	Date/time/period	C	5
1030	CNT	Control total	C	5
1040	UNT	Message trailer	M	1

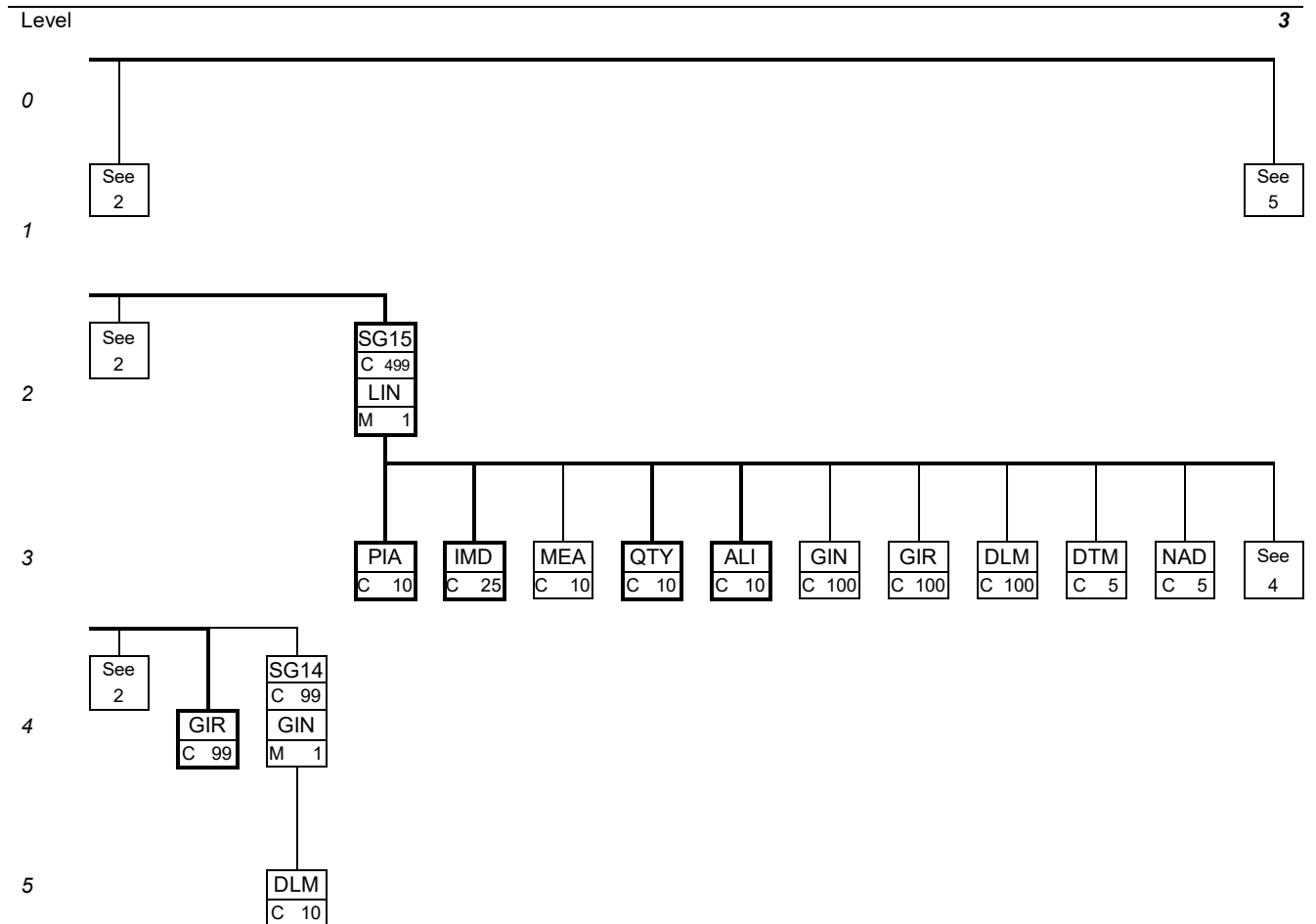
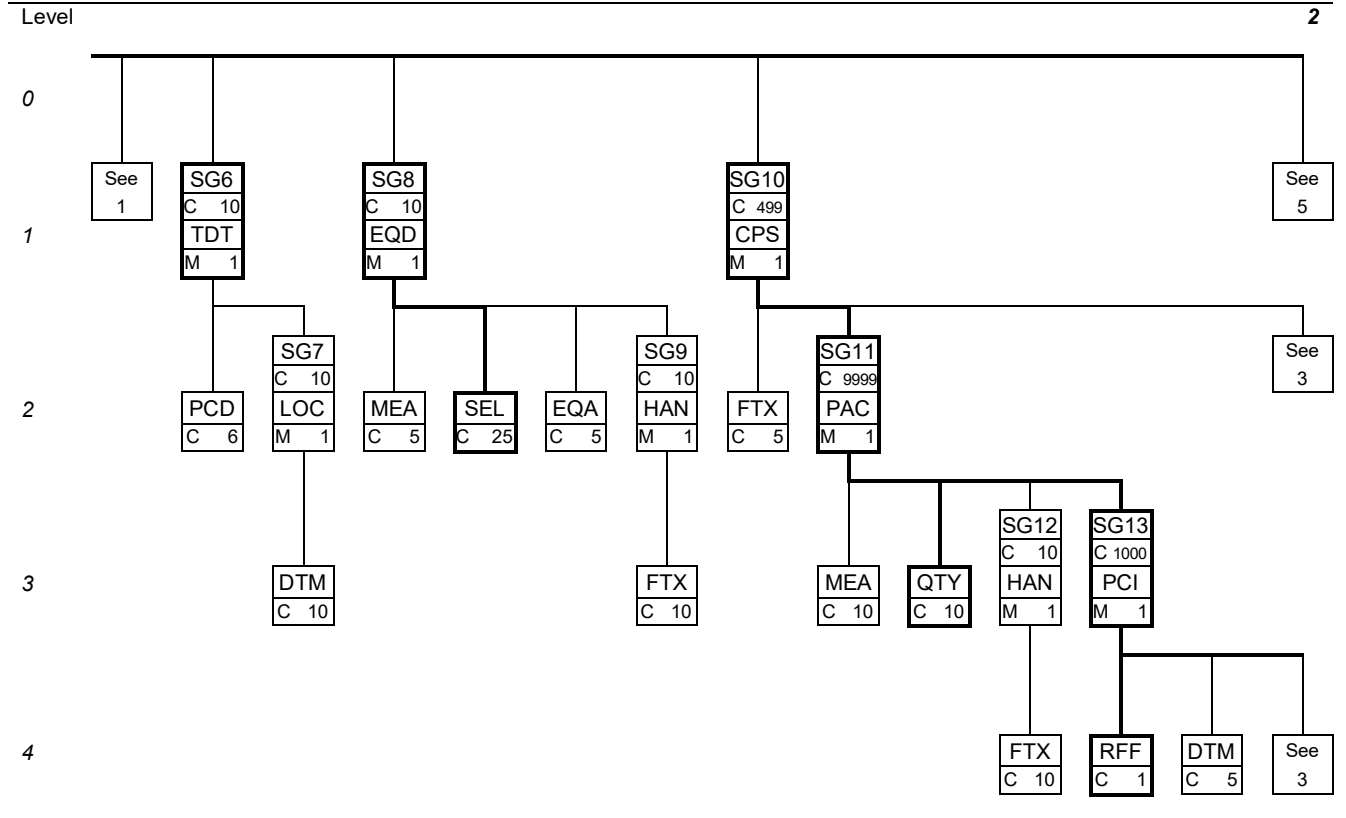
3.3. BRANCHING DIAGRAM

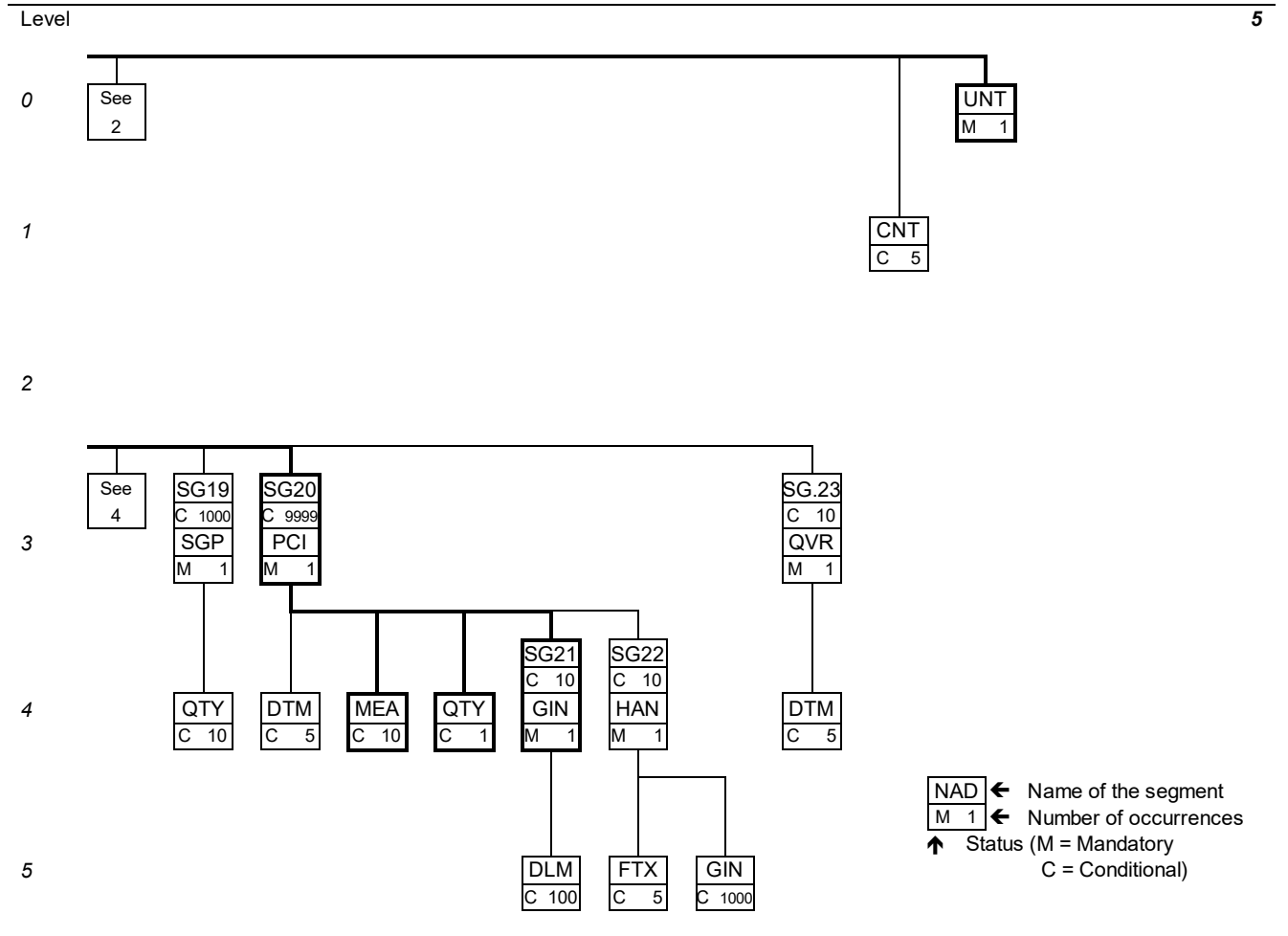
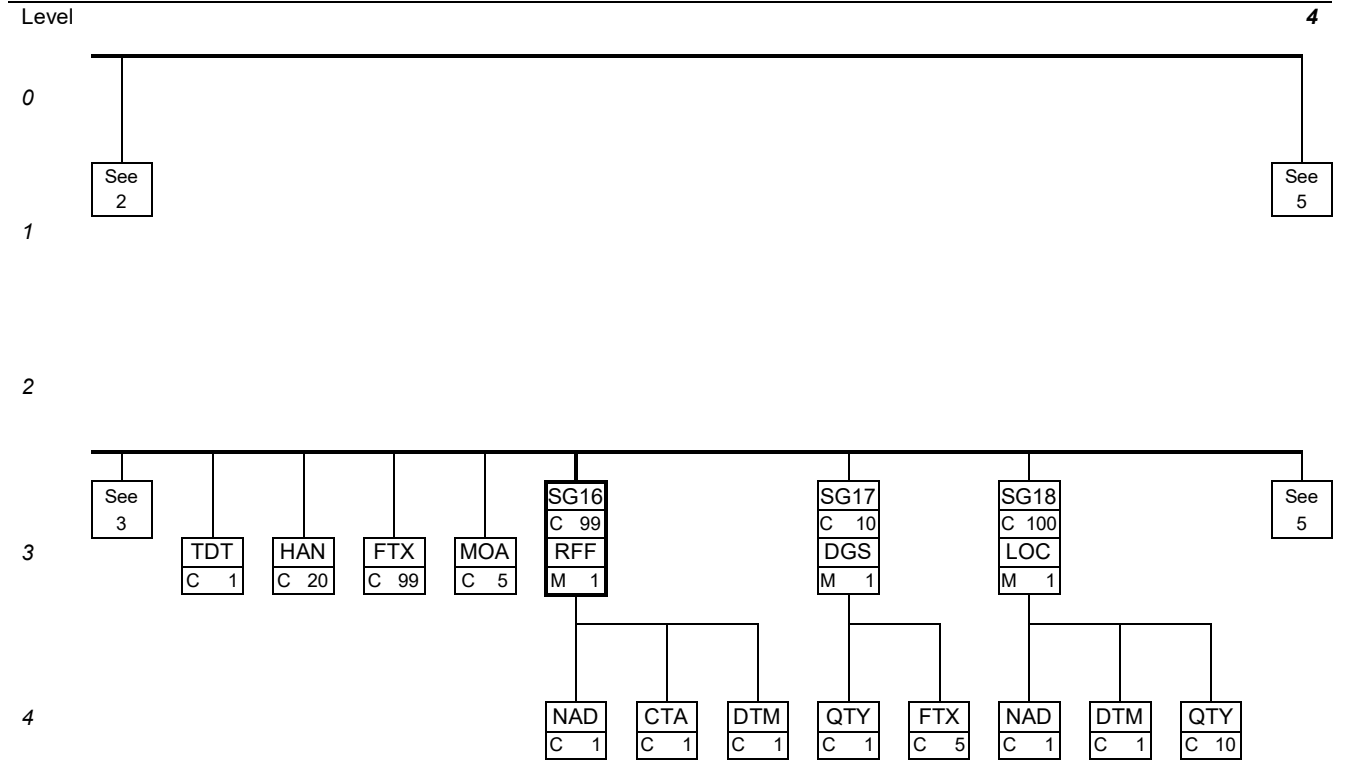
The branching diagram shows the structure of the message. It is a combination of various segments that are organized in a certain hierarchical order.

A segment is a pre-defined set of functionally related values (e.g., segment NAD groups all values that relate to a Party: name - address - etc.)

Each segment within the branching diagram is broken down into one or multiple data elements. Within a segment, only those data elements that contain data must appear.







3.4. MESSAGE STANDARD DESCRIPTION

This section provides the description of the UN Standard Message DESADV as defined in the 97.A Directory. Only the segments printed in bold are used in the subset defined by Shape and will be further explained in section 3.6.

3.5.1 Header section

Information to be provided in the Header section:

- 0010 UNH, Message header**
A service segment starting and uniquely identifying a message. The message type code for the Despatch advice message is DESADV.
- 0020 BGM, Beginning of message**
A segment for unique identification of the Despatch Advice document, by means of its name and its number.
- 0030 DTM, Date/time/period**
Date/time/period related to the whole message. The DTM segment must be specified at least once to identify the Despatch Advice date.
- 0040 ALL, Additional information
A segment indicating that the message is subject to special conditions due to origin, customs preference or commercial factors.
- 0050 MEA, Measurements**
A segment specifying the weight and volume of the consignment.
- 0060 MOA, Monetary amount
A segment to transmit monetary amounts for the whole despatch required by the consignee to prepare customs clearance procedures.
- 0070 Segment group 1: RFF-DTM**
A group of segments giving references where necessary, dates relating to the whole message, e.g. contract number.
- 0080 RFF, Reference**
A segment for referencing documents relating to the whole despatch advice message, e.g. purchase orders, delivery instructions, import/export license.
- 0090 DTM, Date/time/period
Date/time/period from the referred document.
- 0100 Segment group 2: NAD-LOC-SG3-SG4**
A group of segments identifying names, addresses, locations, and required supporting documents relevant to the whole Despatch Advice.
- 0110 NAD, Name and address**
A segment for identifying names, addresses, and their functions relevant to the whole Despatch Advice. Identification of the parties involved is recommended for the Despatch Advice message, and is to be given in the NAD segment.
It is recommended that where possible, only the coded form of the party ID should be specified, e.g. the buyer and seller are known to each other, thus only the coded ID is required. The consignee or delivery address may vary and would have to be clearly specified, preferably in structured format.
- 0120 LOC, Place/location identification**
A segment indicating more details regarding specific places/locations related to the party specified in the NAD segment, e.g. internal site/building number.
- 0130 Segment group 3: RFF-DTM
A group of segments giving references relevant only to the specified party rather than the whole message.
- 0140 RFF, Reference
A segment for referencing documents relating to the party specified by the NAD segment.
- 0150 DTM, Date/time/period
A segment for specifying Date/time/period of the referred document.
- 0160 Segment group 4: CTA-COM
A group of segments to identify the people, functions, departments and appropriate numbers to whom communication should be directed.

- 0170 CTA, Contact information
A segment to identify the person, function or department to whom communication should be directed.
- 0180 COM, Communication contact
A segment to identify communication types and numbers for the person, function or department identified in the CTA.
- 0190 Segment group 5: TOD-LOC-FTX
A group of segments indicating terms of delivery.
- 0200 TOD, Terms of delivery or transport**
A segment indicating the terms of delivery and transfer for the whole despatch advice.
- 0210 LOC, Place/location identification
A segment indicating locations relevant to the TOD segment.
- 0220 FTX, Free text
Additional free text pertinent to terms of delivery. In computer-to-computer exchanges such text will normally require the receiver to process this segment manually.
- 0230 Segment group 6: TDT-PCD-SG7**
A group of segments specifying details of the mode and means of transport and date/time of departure and destination relevant to the whole despatch advice.
- 0240 TDT, Details of transport**
A segment specifying the carriage, and the mode and means of transport of the goods being despatched.
- 0250 PCD, Percentage details
A segment specifying the percentage of utilization of the capacity of the means of transport.
- 0260 Segment group 7: LOC-DTM
A group of segments giving the location and date/time information relative to the transportation.
- 0270 LOC, Place/location identification
A segment indicating locations relevant to the transport specified in the TDT segment.
- 0280 DTM, Date/time/period
A segment giving the date/time/period information of departure and/or arrival of the transported goods for the specified location.
- 0290 Segment group 8: EQD-MEA-SEL-EQA-SG9**
A group of segments providing information relative to the equipment used for the transportation of goods relevant to the whole despatch advice.
- 0300 EQD, Equipment details**
A segment to define fixed information regarding equipment used in conjunction with the whole despatch advice, and if required, to indicate responsibility for supply of the equipment.
- 0310 MEA, Measurements
A segment specifying physical measurements of equipment described in the EQD segment.
- 0320 SEL, Seal number**
A segment specifying a seal number connected to a specific equipment named in the EQD.
- 0330 EQA, Attached equipment
A segment identifying equipment either attached to the equipment described in the EQD segment above, or equipment related to that described in the EQD segment, and which is further defined in a subsequent EQD segment.
- 0340 Segment group 9: HAN-FTX
A group of segments providing information on hazardous goods and their handling.
- 0350 HAN, Handling instructions
A segment providing information on handling and notification of hazardous materials in the specified equipment.
- 0360 FTX, Free text
A segment with free text information in coded or clear form to give further clarification, when required, for hazardous material.

3.5.2 Detail section

Information to be provided in the Detail section:

0370 Segment group 10: CPS-FTX-SG11-SG15

A group of segments providing details of all package levels and of the individual despatched items contained in the consignment. This segment group provides the capability to give the hierarchical packing relationships. The group defines a logical top-down order structure. The lowest level package information of the hierarchy is followed by the detail product information.

0380 CPS, Consignment packing sequence

A segment identifying the sequence in which packing of the consignment occurs, e.g. boxes loaded onto a pallet.

0390 FTX, Free text

A segment with free text information in coded or clear form to give further clarification, when required, as to the packing sequence.

In computer-to-computer exchanges such text will normally require the receiver to process this segment manually.

0400 Segment group 11: PAC-MEA-QTY-SG12-SG13

A group of segments identifying packaging, physical dimensions, marks and numbers, quantities, date and time information, handling information and information about packing at this level.

0410 PAC, Package

A segment specifying the number and type of the packages/physical units and the physical type of packaging for the despatched goods.

0420 MEA, Measurements

A segment specifying physical measurements of the packages/physical units described in the PAC segment.

0430 QTY, Quantity

A segment to specify the quantity per package described in the PAC segment.

0440 Segment group 12: HAN-FTX

A group of segments providing information on hazardous goods and handling.

0450 HAN, Handling instructions

A segment providing information on required handling and notification of hazardous materials in the specified package.

0460 FTX, Free text

A segment with free text information in coded or clear form to give further clarification, when required, for hazardous materials.

0470 Segment group 13: PCI-RFF-DTM-GIR-SG14

A group of segments specifying markings, labels, and packing numbers.

0480 PCI, Package identification

A segment specifying markings and/or labels used on individual physical units (packages) described in the PAC segment.

0490 RFF, Reference

A segment for referencing the package identification e.g. master label number.

0500 DTM, Date/time/period

A segment for specifying date/time/period related to the document referenced.

0510 GIR, Related identification numbers

A segment providing set of package identification related numbers, e.g. a package label number and a KANBAN card number assigned to the same package.

0520 Segment group 14: GIN-DLM

A group of segments giving package identification numbers and, where relevant, delivery limitation information.

0530 GIN, Goods identity number

A segment providing the identity numbers of packages being despatched.

0540 DLM, Delivery limitations

A segment to identify any limitation on delivery of goods, e.g. hold until final approval by supplier.

- 0550 Segment group 15: LIN-PIA-IMD-MEA-QTY-ALI-GIN-GIR-DLM-DTM-NAD-TDT-HAN-FTX-MOA-SG16-SG17-SG18-SG19-SG20-SG23**
A group of segments providing details of the individual despatched items.
- 0560 LIN, Line item**
A segment identifying the product being despatched. All other segments in the detail section following the LIN segment refer to that line item.
- 0570 PIA, Additional product id**
A segment providing additional product identification.
- 0580 IMD, Item description**
A segment for describing the product being despatched. This segment should be used for products that cannot be identified by a product code or article number.
- 0590 MEA, Measurements
A segment specifying physical measurements of the despatched item in original or unpacked form.
- 0600 QTY, Quantity**
A segment to give quantity information concerning the product.
- 0610 ALI, Additional information**
A segment indicating that the line item is subject to special conditions due to origin, customs preference, or commercial factors.
- 0620 GIN, Goods identity number
A segment providing identity numbers of the goods being despatched, e.g. serial numbers for assembled equipment.
- 0630 GIR, Related identification numbers
A segment providing sets of related identification numbers for a line item, e.g. engine number, chassis number and transmission number for a vehicle.
- 0640 DLM, Delivery limitations
A segment to identify any limitation on delivery of goods e.g. hold until final approval by supplier.
- 0650 DTM, Date/time/period
A segment providing date, time information related to the line item, e.g. production date.
- 0660 NAD, Name and address**
A segment for identifying names and addresses and their functions relevant to the item, e.g. manufacturer.
- 0670 TDT, Details of transport
A segment specifying the carriage, and the mode and means of transport of the goods being despatched, e.g. shipment/consignment number, shipping method, carrier.
- 0680 HAN, Handling instructions
A segment providing information on the handling and notification of hazardous materials.
- 0690 FTX, Free text**
A segment with free text information in coded or clear form to give further clarification, when required, to the line item. In computer-to-computer exchanges such text will normally require the receiver to process this segment manually.
- 0700 MOA, Monetary amount
A segment giving monetary amounts required by the consignee to undertake customs clearance procedures.
- 0710 Segment group 16: RFF-NAD-CTA-DTM**
A group of segments to give reference numbers and dates.
- 0720 RFF, Reference**
A segment identifying documents related to the line item.
- 0730 NAD, Name and address
A segment for identifying names and addresses and their functions relevant to the originator of the document in the RFF segment.
- 0740 CTA, Contact information
A segment to identify the office, branch or department to whom communication relevant to the document should be directed.
- 0750 DTM, Date/time/period
A segment for date/time/period relative to the referred document.
- 0760 Segment group 17: DGS-QTY-FTX

- A group of segments giving information about dangerous goods.
- 0770 DGS, Dangerous goods
A segment to indicate the class of dangerous goods.
- 0780 QTY, Quantity
A segment to specify quantity of the given dangerous goods.
- 0790 FTX, Free text
A segment to describe dangerous goods.
- 0800 Segment group 18: LOC-NAD-DTM-QTY
A group of segments giving location information and where relevant, additional addresses, date and time, and quantities.
- 0810 LOC, Place/location identification
A segment identifying a specific location to which products will be delivered.
- 0820 NAD, Name and address
A segment for identifying names and addresses and their functions relevant to the delivery point. It is recommended that where possible only the coded form of the party ID should be specified, e.g. the buyer and seller are known to each other, thus only the coded ID is required. The consignee or delivery address may vary and would have to be clearly specified, preferably in structured format.
- 0830 DTM, Date/time/period
A segment providing date/time information relevant for delivery to the specific location.
- 0840 QTY, Quantity
A segment to specify quantity for the given location.
- 0850 Segment group 19: SGP-QTY
A group of segments indicating the split placement of packages or unpacked goods into equipment.
- 0860 SGP, Split goods placement
A segment to specify the placement of goods in relation to one equipment. If goods are unpacked, their quantity would be given in the following QTY segment.
- 0870 QTY, Quantity
A segment to specify the quantity of unpacked goods being placed in a specific equipment.
- 0880 Segment group 20: PCI-DTM-MEA-QTY-SG21-SG22**
A group of segments identifying one specific package or a number of packages, their marks and numbers, measurements, quantities, date and time information and handling instructions.
- 0890 PCI, Package identification**
A segment specifying marking and labels used on individual packages or a range of packages.
- 0900 DTM, Date/time/period
A segment giving the date/time details related to the goods within the packages e.g. expiration date.
- 0910 MEA, Measurements**
A segment specifying physical measurements of packages.
- 0920 QTY, Quantity**
A segment to specify quantity per package.
- 0930 Segment group 21: GIN-DLM**
A group of segments giving package identification numbers and, where relevant, delivery limitation information.
- 0940 GIN, Goods identity number**
A segment providing identification numbers being applied to the packages despatched.
- 0950 DLM, Delivery limitations
A segment to identify any limitation on delivery of goods e.g. hold until final approval by supplier.
- 0960 Segment group 22: HAN-FTX-GIN
A group of segment providing information on hazardous materials and handling.
- 0970 HAN, Handling instructions
A segment providing information on handling and notification of hazardous materials.
- 0980 FTX, Free text
A segment with free text information in coded or clear form to give further clarification, when required, for hazardous materials.

- 0990 GIN, Goods identity number
A segment providing identification numbers being applied to the packages containing hazardous goods.
- 1000 Segment group 23: QVR-DTM
A group of segments identifying quantity variances, the reason for the variance, and, when relevant, date and time information.
- 1010 QVR, Quantity variances
A segment identifying a quantity variance and the reason for the variance.
- 1020 DTM, Date/time/period
A segment to give date and time information relative to the quantity variances, e.g. proposed delivery date on the back order.

3.5.3 Summary section

Information to be provided in the Summary section:

- 1030 CNT, Control total
A segment by which control totals may be provided by sender for checking by the receiver.
- 1040 **UNT, Message trailer**
A service segment ending a message, giving the total number of segments in the message and the control reference number of the message.

3.5. MESSAGE STRUCTURE

The message structure illustrates how the segments can be repeated in the Despatch Advice message to accommodate the requirements identified by Shape.

<table border="1" style="width: 100%; border-collapse: collapse;"> <tr><td style="padding: 2px;">0010.UNH</td></tr> <tr><td style="padding: 2px;">0020.BGM</td></tr> <tr><td style="padding: 2px;"> 0030-1.DTM</td></tr> <tr><td style="padding: 2px;"> 0030-2.DTM</td></tr> <tr><td style="padding: 2px;"> 0030-3.DTM</td></tr> <tr><td style="padding: 2px;"> 0050-1.MEA</td></tr> <tr><td style="padding: 2px;"> 0050-2.MEA</td></tr> <tr><td style="padding: 2px;"> 0080.RFF</td></tr> <tr><td style="padding: 2px;"> 0110-1.NAD</td></tr> <tr><td style="padding: 2px;"> 0110-2.NAD</td></tr> <tr><td style="padding: 2px;"> 0120.[NAD].LOC</td></tr> <tr><td style="padding: 2px;"> 0110-3.NAD</td></tr> <tr><td style="padding: 2px;"> 0110-5.NAD</td></tr> <tr><td style="padding: 2px;"> 0240.TDT</td></tr> <tr><td style="padding: 2px;"> 0300.EQD</td></tr> <tr><td style="padding: 2px;"> 0320.[EQD].SEL</td></tr> <tr><td style="padding: 2px;"> 0370-1.CPS</td></tr> <tr><td style="padding: 2px;"> 0410.[CPS].PAC</td></tr> <tr><td style="padding: 2px;"> 0430.[CPS.PAC].QTY</td></tr> <tr><td style="padding: 2px;"> 0480.[CPS.PAC].PCI</td></tr> <tr><td style="padding: 2px;"> 0490.[CPS.PAC.PCI].RFF</td></tr> <tr><td style="padding: 2px;"> 0510.[CPS.PAC.PCI].GIR</td></tr> <tr><td style="padding: 2px;"> 0560.[CPS].LIN</td></tr> <tr><td style="padding: 2px;"> 0570.[CPS.LIN].PIA</td></tr> <tr><td style="padding: 2px;"> 0580.[CPS.LIN].IMD</td></tr> <tr><td style="padding: 2px;"> 0600.[CPS.LIN].QTY</td></tr> <tr><td style="padding: 2px;"> 0610.[CPS.LIN].ALI</td></tr> <tr><td style="padding: 2px;"> 0690.[CPS.LIN].FTX</td></tr> <tr><td style="padding: 2px;"> 0660.[CPS.LIN].NAD</td></tr> <tr><td style="padding: 2px;"> 0720.[CPS.LIN].RFF</td></tr> <tr><td style="padding: 2px;"> 0890.[CPS.LIN].PCI</td></tr> <tr><td style="padding: 2px;"> 0910-1.[CPS.LIN.PCI].MEA</td></tr> <tr><td style="padding: 2px;"> 0910-2.[CPS.LIN.PCI].MEA</td></tr> <tr><td style="padding: 2px;"> 0910-3.[CPS.LIN.PCI].MEA</td></tr> <tr><td style="padding: 2px;"> 0910-4.[CPS.LIN.PCI].MEA</td></tr> <tr><td style="padding: 2px;"> 0920.[CPS.LIN.PCI].QTY</td></tr> </table>	0010.UNH	0020.BGM	0030-1.DTM	0030-2.DTM	0030-3.DTM	0050-1.MEA	0050-2.MEA	0080.RFF	0110-1.NAD	0110-2.NAD	0120.[NAD].LOC	0110-3.NAD	0110-5.NAD	0240.TDT	0300.EQD	0320.[EQD].SEL	0370-1.CPS	0410.[CPS].PAC	0430.[CPS.PAC].QTY	0480.[CPS.PAC].PCI	0490.[CPS.PAC.PCI].RFF	0510.[CPS.PAC.PCI].GIR	0560.[CPS].LIN	0570.[CPS.LIN].PIA	0580.[CPS.LIN].IMD	0600.[CPS.LIN].QTY	0610.[CPS.LIN].ALI	0690.[CPS.LIN].FTX	0660.[CPS.LIN].NAD	0720.[CPS.LIN].RFF	0890.[CPS.LIN].PCI	0910-1.[CPS.LIN.PCI].MEA	0910-2.[CPS.LIN.PCI].MEA	0910-3.[CPS.LIN.PCI].MEA	0910-4.[CPS.LIN.PCI].MEA	0920.[CPS.LIN.PCI].QTY	<table border="1" style="width: 100%; border-collapse: collapse;"> <tr><td style="padding: 2px;">Start of Despatch Advice Message</td></tr> <tr><td style="padding: 2px;">Message identification</td></tr> <tr><td style="padding: 2px;">Message generation date/time</td></tr> <tr><td style="padding: 2px;">Despatch date/time</td></tr> <tr><td style="padding: 2px;">Estimated arrival date/time</td></tr> <tr><td style="padding: 2px;">Shipment gross weight</td></tr> <tr><td style="padding: 2px;">Shipment net weight</td></tr> <tr><td style="padding: 2px;">Waybill number</td></tr> <tr><td style="padding: 2px;">Planning schedule/material release issuer (buyer)</td></tr> <tr><td style="padding: 2px;">Ship to identification</td></tr> <tr><td style="padding: 2px;">Delivery dock</td></tr> <tr><td style="padding: 2px;">Supplier identification</td></tr> <tr><td style="padding: 2px;">Ordered by</td></tr> <tr><td style="padding: 2px;">Transport details</td></tr> <tr><td style="padding: 2px;">Equipment details</td></tr> <tr><td style="padding: 2px;">Seal Number</td></tr> <tr><td style="padding: 2px;">Detail trigger segment 1</td></tr> <tr><td style="padding: 2px;">Package details for part number 1</td></tr> <tr><td style="padding: 2px;">Identify quantity per pack</td></tr> <tr><td style="padding: 2px;">Trigger segment for package identification</td></tr> <tr><td style="padding: 2px;">Package related reference number</td></tr> <tr><td style="padding: 2px;">Package related identification number(s)</td></tr> <tr><td style="padding: 2px;">Part number 1</td></tr> <tr><td style="padding: 2px;">Record keeping year / Engineering change level</td></tr> <tr><td style="padding: 2px;">Item description</td></tr> <tr><td style="padding: 2px;">Despatched quantity for part number 1</td></tr> <tr><td style="padding: 2px; text-align: right;"><i>Not used with Shape</i></td></tr> <tr><td style="padding: 2px;">Free text information</td></tr> <tr><td style="padding: 2px;">Manufacturer Duns#</td></tr> <tr><td style="padding: 2px;">Purchase order for part number 1</td></tr> <tr><td style="padding: 2px;">Markings - only if part number is primary metal</td></tr> <tr><td style="padding: 2px;">Gross weight - only if part number is primary metal</td></tr> <tr><td style="padding: 2px;">Length - only if part number is primary metal</td></tr> <tr><td style="padding: 2px;">Width - only if part number is primary metal</td></tr> <tr><td style="padding: 2px;">Thickness - only if part number is primary metal</td></tr> <tr><td style="padding: 2px;">Quantity - only if part number is primary metal</td></tr> </table>	Start of Despatch Advice Message	Message identification	Message generation date/time	Despatch date/time	Estimated arrival date/time	Shipment gross weight	Shipment net weight	Waybill number	Planning schedule/material release issuer (buyer)	Ship to identification	Delivery dock	Supplier identification	Ordered by	Transport details	Equipment details	Seal Number	Detail trigger segment 1	Package details for part number 1	Identify quantity per pack	Trigger segment for package identification	Package related reference number	Package related identification number(s)	Part number 1	Record keeping year / Engineering change level	Item description	Despatched quantity for part number 1	<i>Not used with Shape</i>	Free text information	Manufacturer Duns#	Purchase order for part number 1	Markings - only if part number is primary metal	Gross weight - only if part number is primary metal	Length - only if part number is primary metal	Width - only if part number is primary metal	Thickness - only if part number is primary metal	Quantity - only if part number is primary metal
0010.UNH																																																																									
0020.BGM																																																																									
0030-1.DTM																																																																									
0030-2.DTM																																																																									
0030-3.DTM																																																																									
0050-1.MEA																																																																									
0050-2.MEA																																																																									
0080.RFF																																																																									
0110-1.NAD																																																																									
0110-2.NAD																																																																									
0120.[NAD].LOC																																																																									
0110-3.NAD																																																																									
0110-5.NAD																																																																									
0240.TDT																																																																									
0300.EQD																																																																									
0320.[EQD].SEL																																																																									
0370-1.CPS																																																																									
0410.[CPS].PAC																																																																									
0430.[CPS.PAC].QTY																																																																									
0480.[CPS.PAC].PCI																																																																									
0490.[CPS.PAC.PCI].RFF																																																																									
0510.[CPS.PAC.PCI].GIR																																																																									
0560.[CPS].LIN																																																																									
0570.[CPS.LIN].PIA																																																																									
0580.[CPS.LIN].IMD																																																																									
0600.[CPS.LIN].QTY																																																																									
0610.[CPS.LIN].ALI																																																																									
0690.[CPS.LIN].FTX																																																																									
0660.[CPS.LIN].NAD																																																																									
0720.[CPS.LIN].RFF																																																																									
0890.[CPS.LIN].PCI																																																																									
0910-1.[CPS.LIN.PCI].MEA																																																																									
0910-2.[CPS.LIN.PCI].MEA																																																																									
0910-3.[CPS.LIN.PCI].MEA																																																																									
0910-4.[CPS.LIN.PCI].MEA																																																																									
0920.[CPS.LIN.PCI].QTY																																																																									
Start of Despatch Advice Message																																																																									
Message identification																																																																									
Message generation date/time																																																																									
Despatch date/time																																																																									
Estimated arrival date/time																																																																									
Shipment gross weight																																																																									
Shipment net weight																																																																									
Waybill number																																																																									
Planning schedule/material release issuer (buyer)																																																																									
Ship to identification																																																																									
Delivery dock																																																																									
Supplier identification																																																																									
Ordered by																																																																									
Transport details																																																																									
Equipment details																																																																									
Seal Number																																																																									
Detail trigger segment 1																																																																									
Package details for part number 1																																																																									
Identify quantity per pack																																																																									
Trigger segment for package identification																																																																									
Package related reference number																																																																									
Package related identification number(s)																																																																									
Part number 1																																																																									
Record keeping year / Engineering change level																																																																									
Item description																																																																									
Despatched quantity for part number 1																																																																									
<i>Not used with Shape</i>																																																																									
Free text information																																																																									
Manufacturer Duns#																																																																									
Purchase order for part number 1																																																																									
Markings - only if part number is primary metal																																																																									
Gross weight - only if part number is primary metal																																																																									
Length - only if part number is primary metal																																																																									
Width - only if part number is primary metal																																																																									
Thickness - only if part number is primary metal																																																																									
Quantity - only if part number is primary metal																																																																									

<table border="1" style="width: 100%; border-collapse: collapse;"> <tr><td style="width: 50%; text-align: right;">0940.[CPS.LIN.PC].GIN</td><td style="width: 50%;"></td></tr> <tr><td style="text-align: right;">0370-2.CPS</td><td></td></tr> <tr><td style="text-align: right;">0410.[CPS].PAC</td><td></td></tr> <tr><td style="text-align: right;">0430.[CPS.PAC].QTY</td><td></td></tr> <tr><td style="text-align: right;">0560.[CPS].LIN</td><td></td></tr> <tr><td style="text-align: right;">0570.[CPS.LIN].PIA</td><td></td></tr> <tr><td style="text-align: right;">0600.[CPS.LIN].QTY</td><td></td></tr> <tr><td style="text-align: right;">0610.[CPS.LIN].ALI</td><td></td></tr> <tr><td style="text-align: right;">0660.[CPS.LIN].NAD</td><td></td></tr> <tr><td style="text-align: right;">0720.[CPS.LIN].RFF</td><td></td></tr> <tr><td style="text-align: right;">0370-3.CPS</td><td></td></tr> <tr><td style="text-align: right;">...</td><td></td></tr> <tr><td style="text-align: right;">0370-n.CPS</td><td></td></tr> <tr><td style="text-align: right;">0410.[CPS].PAC</td><td></td></tr> <tr><td style="text-align: right;">...</td><td></td></tr> <tr><td style="text-align: right;">1040.UNT</td><td></td></tr> </table>	0940.[CPS.LIN.PC].GIN		0370-2.CPS		0410.[CPS].PAC		0430.[CPS.PAC].QTY		0560.[CPS].LIN		0570.[CPS.LIN].PIA		0600.[CPS.LIN].QTY		0610.[CPS.LIN].ALI		0660.[CPS.LIN].NAD		0720.[CPS.LIN].RFF		0370-3.CPS		...		0370-n.CPS		0410.[CPS].PAC		...		1040.UNT		<table border="1" style="width: 100%; border-collapse: collapse;"> <tr><td>Heat code or Lot number - only for primary metal</td></tr> <tr><td>Detail trigger segment 2</td></tr> <tr><td>Package details for part number 2</td></tr> <tr><td>Not used with Shape</td></tr> <tr><td>Part number 2</td></tr> <tr><td>Record keeping year / Engineering Change level</td></tr> <tr><td>Despatched quantity for part number 2</td></tr> <tr><td style="text-align: right;"><i>Not used with Shape</i></td></tr> <tr><td>Manufacturer Duns#</td></tr> <tr><td>Purchase order for part number 2</td></tr> <tr><td>Detail trigger segment 3</td></tr> <tr><td>Details for part number 3</td></tr> <tr><td>Detail trigger segment N</td></tr> <tr><td>Package component 1 details</td></tr> <tr><td>...</td></tr> <tr><td>End of message</td></tr> </table>	Heat code or Lot number - only for primary metal	Detail trigger segment 2	Package details for part number 2	Not used with Shape	Part number 2	Record keeping year / Engineering Change level	Despatched quantity for part number 2	<i>Not used with Shape</i>	Manufacturer Duns#	Purchase order for part number 2	Detail trigger segment 3	Details for part number 3	Detail trigger segment N	Package component 1 details	...	End of message
0940.[CPS.LIN.PC].GIN																																																	
0370-2.CPS																																																	
0410.[CPS].PAC																																																	
0430.[CPS.PAC].QTY																																																	
0560.[CPS].LIN																																																	
0570.[CPS.LIN].PIA																																																	
0600.[CPS.LIN].QTY																																																	
0610.[CPS.LIN].ALI																																																	
0660.[CPS.LIN].NAD																																																	
0720.[CPS.LIN].RFF																																																	
0370-3.CPS																																																	
...																																																	
0370-n.CPS																																																	
0410.[CPS].PAC																																																	
...																																																	
1040.UNT																																																	
Heat code or Lot number - only for primary metal																																																	
Detail trigger segment 2																																																	
Package details for part number 2																																																	
Not used with Shape																																																	
Part number 2																																																	
Record keeping year / Engineering Change level																																																	
Despatched quantity for part number 2																																																	
<i>Not used with Shape</i>																																																	
Manufacturer Duns#																																																	
Purchase order for part number 2																																																	
Detail trigger segment 3																																																	
Details for part number 3																																																	
Detail trigger segment N																																																	
Package component 1 details																																																	
...																																																	
End of message																																																	

3.6. SERVICE SEGMENTS DESCRIPTION

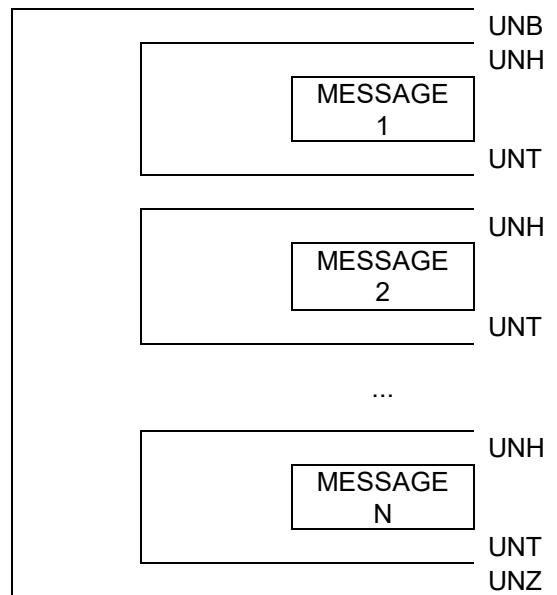
Following service segments are as defined by UN/EDIFACT and presented under ISO 9735.

The UNB, UNH, UNT and UNZ segments are the envelope of any message, enclosing all the data that is being transmitted.

The UNB (Interchange header) and UNZ (Interchange trailer) segments mark respectively the beginning and the end of an interchange thereby providing a unique interchange control reference.

Within the interchange the UNH (message header) and UNT (Message trailer) segments uniquely begin and end the various messages contained in an interchange.

EXAMPLE OF AN INTERCHANGE STRUCTURE



NOTE:
 All data elements marked “M” for Mandatory in the “ST” field of the Shape implementation must be included in the message. Missing or incorrect entries will result in the rejection of the message.

0000 UNB - INTERCHANGE HEADER

Segment Group: none Level: 0
 EDIFACT status: mandatory Shape status: mandatory
 Maximum use: 1 per interchange Shape occurrences: 1 per interchange
 Function: Service segment providing the unique identification of an interchange. It allows the identification of the sender and the receiver of the interchange, gives date and time of preparation as well as the interchange control reference and the application reference.
 Shape interchange: see remarks.

Example: **UNB+UNOA:2+QQQ:ZZ+DPH:ZZ+030325:0200+233++DESADV'**
 A B C D E F G H I

EDIFACT STANDARD DEFINITION						SHAPE IMPLEMENTATION		
REF	TAG	NAME	ST	FT	SP	ST	FT	REMARKS
A	S001	<i>SYNTAX IDENTIFIER</i>	M			M		
	0001	Syntax identifier	M	a4	:	M	a4	"UNOA".
B	0002	Syntax version number	M	n1	+	M	n1	Indication of the syntax version used for this message.
C	S002	<i>INTERCHANGE SENDER</i>	M			M		
	0004	Sender identification	M	an..35	:	M	an..35	Communication Code/Mailbox number of the party originating the message.
D	0007	Identification code qualifier	C	an..4	:	M	an..02	"ZZ" mutually defined
	0008	Address for Reverse Routing	C	an..14	+			"01" DUNS number
E	S003	<i>INTERCHANGE RECIPIENT</i>	M			M		
	0010	Recipient identification	M	an..35	:	M	an..35	Communication Code/Mailbox number of the party receiving the message.
F	0007	Identification code qualifier	C	an..4	:	M	an..02	"ZZ" mutually defined
	0014	Routing address	C	an..14	+			"01" DUNS number
G	S004	<i>DATE / TIME OF PREPARATION</i>	M			M		
	0017	Date of preparation	M	n6	:	M	n6	YYMMDD Format.
H	0019	Time of preparation	M	n4	+	M	n4	HHMM Format.
I	0020	INTERCHANGE CONTROL REFERENCE	M	an..14	+	M	an..14	Reference number assigned by the sender of the message. This number must uniquely identify each interface and must be UNIQUE within an inventory year.
	S005	<i>RECIPIENTS REFERENCE PASSWORD</i>	C					
	0022	Recipient's reference / password	M	an..14	:			
	0025	Recipient's reference / password qualifier	C	an2	+			
	0026	APPLICATION REFERENCE	C	an..14	+	M	n6	DESADV
	0029	PROCESSING PRIORITY CODE	C	a1	+			
	0031	ACKNOWLEDGEMENT REQUEST	C	n1	+			
	0032	COMMUNICATIONS AGREEMENT ID	C	an..35	+			
	0035	TEST INDICATOR	C	n1	'	C	n1	Used for Test only

Note: Century is not used in tag 0017, 0019

0010 UNH - MESSAGE HEADER

Segment group: none Level: 0
 EDIFACT status: mandatory Shape status: mandatory.
 Maximum use: 1 per message. Shape occurrences: 1 per message.
 Function: service segment starting and uniquely identifying a message. The message type code for the Despatch Advice message is DESADV.
 Shape interchange: see remarks.
 Example: **UNH+4+DESADV:D:97A:UN'**
 A B C D E

EDIFACT STANDARD DEFINITION						SHAPE IMPLEMENTATION		
REF	TAG	NAME	ST	FT	SP	ST	FT	REMARKS
A	0062	MESSAGE REFERENCE NUMBER	M	an..14	+	M	an..14	Message Control number assigned by the sender to the message.
	S009	MESSAGE IDENTIFIER	M			M		
B	0065	Message type	M	an..6	:	M	an..6	"DESADV"
C	0052	Message version number	M	an..3	:	M	an..3	"D"
D	0054	Message release number	M	an..3	:	M	an..3	"97A"
E	0051	Controlling agency	M	an..2	:	M	an..2	"UN"
	0057	Association assigned code	C	an..6	+			
	0068	COMMON ACCESS REFERENCE	C	an..35	+			
	S010	STATUS OF TRANSFER	C					
	0070	Sequence of transfer	M	n..2	:			
	0073	First and last transfer	C	a1	:			

COMMENTS

The Message Reference number is structured as follows:

First message: 1
 Second message: 2
 max.: 9999

1040 UNT - MESSAGE TRAILER

Segment group: none Level: 0
 EDIFACT status: mandatory Shape status: mandatory
 Maximum use: 1 per message Shape occurrences: 1 per message
 Function: service segment ending a message, giving the total number of segments in the message and the control reference number of the message.
 Shape interchange:
 Example: **UNT+31+4'**
 A B

EDIFACT STANDARD DEFINITION						SHAPE IMPLEMENTATION		
REF	TAG	NAME	ST	FT	SP	ST	FT	REMARKS
A	0074	NUMBER OF SEGMENTS IN THE MESSAGE	M	n..6		M	n..6	Control count of the number of segments in the message, including UNH and UNT.
B	0062	MESSAGE REFERENCE NUMBER	M	an..14		M	an..14	Number must be identical to UNH - tag 0062

1050 UNZ - INTERCHANGE TRAILER

Segment Group: none Level: 0
 EDIFACT status: mandatory Shape status: mandatory
 Maximum use: 1 Shape occurrences: 1 per interchange
 Function: service segment ending an interchange and giving the number of messages contained in the interchange as well as the Interchange Control Reference number.

Shape interchange:

Example: **UNZ+1+233'**
 A B

EDIFACT STANDARD DEFINITION						SHAPE IMPLEMENTATION		
REF	TAG	NAME	ST	FT	SP	ST	FT	REMARKS
A	0036	INTERCHANGE CONTROL COUNT	M	n..6	+	M	n..6	Number of messages in an interchange.
B	0020	INTERCHANGE CONTROL REFERENCE	M	an..14	'	M	an..14	Value must be the same as 0020 - Interchange Control Reference in UNB.

3.7. DATA SEGMENTS DESCRIPTION

This part includes only the segments defined in the standard and used in the subset exchanged between the Trading Partners and Shape. The segments are described in the same sequence as they appear in the message.

The EDIFACT DESADV segments that are not used in the subset used by Shape are included in alphabetical sequence under item 3.9.

NOTE: All data elements marked “M” for Mandatory in the “ST” field of the Shape implementation must be included in the message. Missing or incorrect entries will result in the rejection of the message.

0020 BGM - BEGINNING OF MESSAGE

Segment group: none Level: 1
 EDIFACT status: mandatory Shape status: mandatory
 Maximum use: 1 per message Shape occurrences: 1 per message
 Function: segment for unique identification of the Despatch Advice document, by means of its name and its number.

Note: Use only alpha and /or numeric characters in the BGM segment. Special characters or symbols may cause failure.

Example: **BGM++123456+9'** **Limit to 10 characters**
 A B

EDIFACT STANDARD DEFINITION						SHAPE IMPLEMENTATION		
REF	TAG	NAME	ST	FT	SP	ST	FT	REMARKS
	C002	DOCUMENT/MESSAGE NAME	C					
	1001	Document/message name, coded	C	an..3	:			
	1131	Code list qualifier	C	an..3	:			
	3055	Code list responsible agency, coded	C	an..3	:			
	1000	Document/message name	C	an..35	+			
	C106	DOCUMENT/MESSAGE IDENTIFICATION	C			M		
A	1004	Document/message number	C	an..35	:	M	an..30	A unique control number, commonly called a Shipment Identification Number (SID), assigned by the original shipper to identify a specific shipment. This unique control number cannot be repeated. This number must be referenced on both the packing list and the bill of lading as the Shipment Identification Number (SID). The SID number will be used by Shape as the reference number on the payment remittance to the supplier.
	1056	Version	C	an..9	:			
	1060	Revision number	C	an..6	+			
B	1225	MESSAGE FUNCTION, CODED	C	an..3	+	M	an..3	Function of the message. For code values see below. Note: “9” is currently the only code which Shape will process.
	4343	RESPONSE TYPE, CODED	C	an..3	'			

CODE VALUES

1225 - Message function, coded

- 1 Cancellation
Message canceling a previous transmission for a given transaction. The issuer's subsequent transmission of an SID, canceling all data previously transmitted under that SID (1004).
- 2 Addition
Message containing items (e.g. line items, goods items, Customs items, equipment items) to be added to a previously sent message. The issuer's subsequent transmission of an SID, adding part specific data not previously transmitted under that SID (1004).
- 4 Change
Message containing items (e.g. line items, goods items, Customs items, equipment items) to be changed in a previously sent message. The issuer's subsequent transmission of an SID, changing data previously transmitted under that SID (1004).
- 9 Original
Initial transmission related to a given transaction. The issuer's first transmission of a message for a particular SID (1004).

Note: Use Message function, coded (1225) value as 9.

0030 DTM - DATE/TIME/PERIOD

Segment group: none Level: 1
 EDIFACT status: mandatory Shape status: mandatory (see comments)
 Maximum use: 10 per message at level 1 Shape occurrences: max. 3 per message
 Function: segment specifying the date/time/period related to the whole message. The DTM segment must be specified at least once to identify the Despatch Advice date.

Shape interchange: there may be max. 3 occurrences of DTM in position 0030: to specify the message issue date, to specify the despatch date and/or time and to specify the estimated arrival date/time. **The 2 first occurrences are mandatory in the messages exchanged with Shape.**

Example: **DTM+137: 200303250200:203'** Document generation, *mandatory*
DTM+11: 200303250200:203' Despatch date/time, *mandatory*
DTM+132: 200303260200:203' Estimated arrival date/time, *optional*
 A B C

EDIFACT STANDARD DEFINITION				SHAPE IMPLEMENTATION				
REF	TAG	NAME	ST	FT	SP	ST	FT	REMARKS

Document generation date. MANDATORY - must be transmitted.

	C507	DATE/TIME/PERIOD	M				M	
A	2005	Date/time/period qualifier	M	an..3	:		M	an..3
B	2380	Date/time/period	C	an..35	:		M	an..35
C	2379	Date/time/period format qualifier	C	an..3	'		M	an..3

"137" = Document/message date/time.
 Date/time when the document is issued.
 "203" = CCYYMMDDHHMM.

Despatch date/time. MANDATORY - must be transmitted.

	C507	DATE/TIME/PERIOD	M				M	
A	2005	Date/time/period qualifier	M	an..3	:		M	an..3
B	2380	Date/time/period	C	an..35	:		M	an..35
C	2379	Date/time/period format qualifier	C	an..3	'		M	an..3

"11" = Despatch date and or time.
 Date/time on which the goods are actually despatched or shipped.
 "203" = CCYYMMDDHHMM.

Estimated arrival date/time. Optional - may be transmitted.

	C507	DATE/TIME/PERIOD	M				M	
A	2005	Date/time/period qualifier	M	an..3	:		M	an..3
B	2380	Date/time/period	C	an..35	:		M	an..35
C	2379	Date/time/period format qualifier	C	an..3	'		M	an..3

"132" = Arrival date/time, estimated.
 Date/time when the goods are expected to arrive at the place of destination.
 "203" = CCYYMMDDHHMM.

0050 MEA - MEASUREMENTS

Segment group: none Level: 1
 EDIFACT status: conditional Shape status: mandatory
 Maximum use: 5 per message at level 1 Shape occurrences: max. 3 per message
 Function: segment specifying the weight and volume of the consignment.
 Shape interchange: there need to be 3 occurrences of MEA in position 0050 specifying the gross weight and the net weight of the shipment and the total number of lading units.

Example: **MEA+AAX+G+LBR:200'** Gross Weight, *mandatory*
MEA+AAX+N+LBR:200' Net weight, *mandatory*
MEA+AAX+SQ+C62:44' Ship quantity, *mandatory*
 A B C D

EDIFACT STANDARD DEFINITION						SHAPE IMPLEMENTATION		
REF	TAG	NAME	ST	FT	SP	ST	FT	REMARKS

Gross weight

A	6311	MEASUREMENT PURPOSE QUALIFIER	M	an..3	+	M	an..3	"AAX" = Consignment measurements.
	C502	MEASUREMENT DETAILS	C			C		
B	6313	Property measured, coded	C	an..3	:	M	an..3	"G" = Gross Weight.
	6321	Measurement significance, coded	C	an..3	:			
	6155	Measurement attribute identification	C	an..17	:			
	6154	Measurement attribute	C	an..70	+			
	C174	VALUE/RANGE	C					
C	6411	Measure unit qualifier	M	an..3	:	M	an..3	For code see UN/ECE Recommendation Nr 20
D	6314	Measurement value	C	an..18	:	M	an..18	Actual weight. No decimal digits!
	6162	Range minimum	C	n..18	:			
	6152	Range maximum	C	n..18	:			
	6432	Significant digits	C	n..2	+			
	7383	SURFACE/LAYER INDICATOR, CODED	C	an..3	'			

Net weight

A	6311	MEASUREMENT PURPOSE QUALIFIER	M	an..3	+	C	an..3	"AAX" = Consignment measurements.
	C502	MEASUREMENT DETAILS	C			C		
B	6313	Property measured, coded	C	an..3	:	C	an..3	"N" = Net Weight.
	6321	Measurement significance, coded	C	an..3	:			
	6155	Measurement attribute identification	C	an..17	:			
	6154	Measurement attribute	C	an..70	+			
	C174	VALUE/RANGE	C					
C	6411	Measure unit qualifier	M	an..3	:	C	an..3	For code see UN/ECE Recommendation Nr 20
D	6314	Measurement value	C	an..18	:	M	an..18	Actual weight . No decimal digits!
REST OF SEGMENT NOT USED.								

Shipped Quantity Note: Measurement unit qualifier, use C62 when used with SQ (6313 – Property measured coded)

A	6311	MEASUREMENT PURPOSE QUALIFIER	M	an..3	+	M	an..3	"AAX" = Consignment measurements.
	C502	MEASUREMENT DETAILS	C			C		
B	6313	Property measured, coded	C	an..3	:	M	an..3	"SQ" = Total number of Lading units.
	6321	Measurement significance, coded	C	an..3	:			
	6155	Measurement attribute identification	C	an..17	:			
	6154	Measurement attribute	C	an..70	+			
	C174	VALUE/RANGE	C					
C	6411	Measure unit qualifier	M	an..3	:	M	an..3	For code see UN/ECE Recommendation Nr 20
D	6314	Measurement value	C	an..18	:	M	an..18	Quantity
REST OF SEGMENT NOT USED.								

Segment group 1: RFF-DTM

Segment group: 1 Level: 1
 EDIFACT status: conditional Shape status: mandatory
 Maximum use: 10 per message at level 1 Shape occurrences: max. 2 per message
 Function: group of segments giving references where necessary, their dates relating to the whole message, e.g. contract number.
 Shape interchange: only RFF is required in segment group 1.

0080 RFF - REFERENCE

Segment group: 1 [RFF] Level: 1
 EDIFACT status: mandatory if segment group 1 is used Shape status: mandatory
 Maximum use: 1 per segment group 1 (max. 10) Shape occurrences: 1 per segment group 1
 Function: segment for referencing documents relating to the whole despatch advice message, e.g. purchase orders, delivery instructions, import/export license.
 Shape interchange: **At least one iteration is mandatory.**

If Carrier's reference number is known, send RFF+CN segment. To clarify the difference between carrier reference number and integrated logistics cross-reference number, the carrier reference number is the PRO number issued by the actual carrier of the goods and can be used in traditional EDI and Ship Direct scenarios. The integrated logistics cross-reference number is issued by the logistics provider coordinating the goods movement. The integrated logistics cross-reference number is only used in Ship Direct scenarios.

Example: RFF+CN:35' Carrier Reference number
 RFF+MB:123456' Master Bill of Lading

A B

EDIFACT STANDARD DEFINITION				SHAPE IMPLEMENTATION				
REF	TAG	NAME	ST	FT	SP	ST	FT	REMARKS

Carrier's reference number **Conditional: Transmit if carrier is known**

	C506	REFERENCE	M			M		
A	1153	Reference qualifier	M	an..3	:	M	an..3	"CN" = Carrier's reference number. Number as referenced in 1153 above.
B	1154	Reference number	C	an..35	:	M	an..35	
	1156	Line number	C	an..6	:			
	4000	Reference version number	C	an..35	:			

Master bill of lading number **Mandatory: Must be transmitted**

	C506	REFERENCE	M			M		
A	1153	Reference qualifier	M	an..3	:	M	an..3	"MB" = Master bill of lading number. Number as referenced in 1153 above.
B	1154	Reference number	C	an..35	:	M	an..35	
	1156	Line number	C	an..6	:			
	4000	Reference version number	C	an..35	:			

Segment group 2: NAD-LOC-SG3-SG4

Segment group: 2 Level: 1
 EDIFACT status: conditional Shape status: mandatory
 Maximum use: 10 per message at level 1 Shape occurrences: maximum 5 per message
 Function: group of segments identifying names, addresses, locations, and required supporting documents relevant to the whole Despatch Advice.
 Shape interchange: see segment description.

0110 NAD - NAME AND ADDRESS

Segment group: 02 [NAD] Level: 1
 EDIFACT status: mandatory if segment group 02 is used Shape status: mandatory
 Maximum use: 1 per segment group 02 (max. 10) Shape occurrences: 1 per segment group 2
 Function: segment for identifying names, addresses, and their functions relevant to the whole Despatch Advice.
 Shape interchange: the message may contain max. 5 NAD segments as detailed below. Shape always requires the transmission of the first 3 occurrences detailed below. If the ship from location is different from the supplier location then the 4th occurrence is also mandatory. The 5th occurrence is only to be transmitted if this information was also included in the DELFOR previously transmitted by Shape.

Example: **NAD+MI+623700994::16'** Material issuer, *mandatory*
NAD+ST+H301::92' Ship To, *mandatory*
NAD+SU+999123456::16' Supplier Mfg. Plant DUNS # *mandatory*

NAD+SF+999112233::16' Ship From, *conditional*
NAD+OB+HA02::92++++++DE' Ordered by, *conditional*
A B C D *mandatory for ship direct*

EDIFACT STANDARD DEFINITION				SHAPE IMPLEMENTATION				
REF	TAG	NAME	ST	FT	SP	ST	FT	REMARKS

Planning schedule/material release issuer. MANDATORY - must be transmitted

A	3035	PARTY QUALIFIER	M	an..3	+	M	an..3	"MI" = Planning schedule/material release issuer.
B	C082	PARTY IDENTIFICATION DETAILS	C			M		
	3039	Party id. Identification	M	an..35	:	M	an..35	Code identifying the material release issuer. For code value see below.
C	1131	Code list qualifier	C	an..3	:			
	3055	Code list responsible agency, coded	C	an..3	+	M	an..3	For code value see below.
	C058	NAME AND ADDRESS	C					
	3124	Name and address line	M	an..35	:			
	3124	Name and address line	C	an..35	:			
	3124	Name and address line	C	an..35	:			
	3124	Name and address line	C	an..35	:			
	3124	Name and address line	C	an..35	+			
	C080	PARTY NAME	C					
	3036	Party name	M	an..35	:			
	3036	Party name	C	an..35	:			
	3036	Party name	C	an..35	:			
	3036	Party name	C	an..35	:			
	3036	Party name	C	an..35	:			
	3045	Party name format, coded	C	an..3	+			
	C059	STREET	C					
	3042	Street and number/P.O. box	M	an..35	:			
	3042	Street and number/P.O.. box	C	an..35	:			
	3042	Street and number/P.O.. box	C	an..35	:			
	3042	Street and number/P.O.. box	C	an..35	+			
	3164	CITY NAME	C	an..35	+			
	3229	COUNTRY SUB-ENTITY IDENTIFICATION	C	an..9	+			
	3251	POSTCODE IDENTIFICATION	C	an..9	+			
	3207	COUNTRY, CODED	C	an..3	'			

0110 NAD - CONTINUED

Ship to **MANDATORY - must be transmitted.**

EDIFACT STANDARD DEFINITION						SHAPE IMPLEMENTATION			
REF	TAG	NAME	ST	FT	SP	ST	FT	REMARKS	
A	3035	PARTY QUALIFIER	M	an..3	+	M	an..3	"ST" = Ship to.	
	C082	<i>PARTY IDENTIFICATION DETAILS</i>	C			M			
B	3039	Party id. Identification	M	an..35	:	M	an..35	Code identifying the plant where the material must be delivered. For code value see below.	
	1131	Code list qualifier	C	an..3	:				
C	3055	Code list responsible agency, coded	C	an..3	+	M	an..3	For code value see below.	
	C058	<i>NAME AND ADDRESS</i>	C		+				
	C080	<i>PARTY NAME</i>	C		+				
	C059	<i>STREET</i>	C		+				
	3164	CITY NAME	C	an..35	+				
	3229	COUNTRY SUB-ENTITY IDENTIFICATION	C	an..9	+				
	3251	POSTCODE IDENTIFICATION	C	an..9	+				
	3207	COUNTRY, CODED	C	an..3	'				
REST OF SEGMENT NOT USED.									

Supplier **MANDATORY - must be transmitted.**

A	3035	PARTY QUALIFIER	M	an..3	+	M	an..3	"SU" = Supplier.
	C082	<i>PARTY IDENTIFICATION DETAILS</i>	C			M		
B	3039	Party id. Identification	M	an..35	:	M	an..35	Code identifying the supplier.
	1131	Code list qualifier	C	an..3	:			
C	3055	Code list responsible agency, coded	C	an..3	+	M	an..3	For code value see below.
	C058	<i>NAME AND ADDRESS</i>	C		+			
	C080	<i>PARTY NAME</i>	C		+			
	C059	<i>STREET</i>	C		+			
	3164	CITY NAME	C	an..35	+			
	3229	COUNTRY SUB-ENTITY IDENTIFICATION	C	an..9	+			
	3251	POSTCODE IDENTIFICATION	C	an..9	+			
	3207	COUNTRY, CODED	C	an..3	'			
REST OF SEGMENT NOT USED.								

Ship from **Conditional - must only be transmitted if different from SU.**

A	3035	PARTY QUALIFIER	M	an..3	+	M	an..3	"SF" = Ship from. (Delivery Party).
	C082	<i>PARTY IDENTIFICATION DETAILS</i>	C			M		
B	3039	Party id. Identification	M	an..35	:	M	an..35	Code identifying the Ship from Location
	1131	Code list qualifier	C	an..3	:			
C	3055	Code list responsible agency, coded	C	an..3	+	M	an..3	For code value see below.
	C058	<i>NAME AND ADDRESS</i>	C		+			
	C080	<i>PARTY NAME</i>	C		+			
	C059	<i>STREET</i>	C		+			
	3164	CITY NAME	C	an..35	+			
	3229	COUNTRY SUB-ENTITY IDENTIFICATION	C	an..9	+			
	3251	POSTCODE IDENTIFICATION	C	an..9	+			
D	3207	COUNTRY, CODED	C	an..3	'			
REST OF SEGMENT NOT USED.								

0110 NAD - CONTINUED

CODE VALUES

3039 - Party id. identification [NAD 1st and 2nd occurrence]

Individual notification by the Implementation Plant -> Code Value must be in line with the information given in DELFOR.

3055 - Code list responsible agency, coded

- 16** DUN & Bradstreet (DUNS)
- 92** Assigned by buyer or buyer's agent.

3207 - Country, coded

EUROPEAN UNION

- AT** Austria
- BE** Belgium
- DE** Germany
- DK** Denmark
- ES** Spain
- FI** Finland
- FR** France
- GB** United Kingdom
- GR** Greece
- IE** Ireland
- IT** Italy
- LU** Luxembourg
- NL** Netherlands
- PT** Portugal
- SE** Sweden

OTHERS

- CA** Canada
- CH** Switzerland
- CZ** Czech Republic
- HU** Hungary
- NO** Norway
- PL** Poland
- RO** Romania
- SI** Slovenia
- SK** Slovakia
- TN** Tunisia
- TR** Turkey
- US** United States

Based on ISO 3166 "ISO ALPHA-2 Country code" list.

Segment group 5: TOD-FTX

0200 TOD – TERMS OF DELIVERY

Segment group: 5 [TOD.FTX] Level: 3
 EDIFACT status: mandatory Shape status: mandatory
 Maximum use: 1 in segment group 5 Shape occurrences: 1 in segment group 5
 Function: A segment indicating the terms of delivery and transfer for the whole despatch advice.
 Example: **TOD+++FOB::SHIP POINT-COLLECT'**

EDIFACT STANDARD DEFINITION						SHAPE IMPLEMENTATION		
REF	TAG	NAME	ST	FT	SP	ST	FT	REMARKS
	4055	Terms of delivery or transport function, coded	C	an..3	+			
	4215	Transport charges method of payment, coded	C	an..3	:			
	C100	<i>TERMS OF DELIVERY OR TRANSPORT</i>	C		:	C		
	4053	Terms of delivery or transport, coded	M	an..3	:	M	an..3	
	1131	Code list qualifier	C	an..3	+			
	3055	Code list responsible agency, coded	C	an..3	+			
	4052	Terms of delivery or transport	M	an..70	:	M	an..70	
	4052	Terms of delivery or transport	C	an..70	:			

0220 FTX - FREE TEXT

Segment group: 5 [TOD.FTX] Level: 3
 EDIFACT status: conditional Shape status: optional
 Maximum use: 5 in segment group 5 Shape occurrences: as required
 Function: segment with free text in coded or clear form to give further clarification when required.
 Shape interchange: see remarks.
 Example: **FTX+AAI+++TEXT'**
 A B

EDIFACT STANDARD DEFINITION						SHAPE IMPLEMENTATION		
REF	TAG	NAME	ST	FT	SP	ST	FT	REMARKS
A	4451	TEXT SUBJECT QUALIFIER	M	an..3	+	M	an..3	
	4453	TEXT FUNCTION, CODED	C	an..3	+			
	C107	<i>TEXT REFERENCE</i>	C		:			
	4441	Free text, coded	M	an..3	:			
	1131	Code list qualifier	C	an..3	:			
	3055	Code list responsible agency, coded	C	an..3	+			
	C108	<i>TEXT LITERAL</i>	C		:	C		
B	4440	Free text	M	an..70	:	M	an..70	Textual information.
	4440	Free text	C	an..70	:			
	4440	Free text	C	an..70	:			
	4440	Free text	C	an..70	:			
	4440	Free text	C	an..70	+			
	3453	LANGUAGE, CODED	C	an..3	'			

4451 – Text Subject Qualifier

AAI General Information
 ACD Reason

Segment group 6: TDT-PCD-SG7

Segment group: 6 Level: 1
 EDIFACT status: conditional Shape status: mandatory
 Maximum use: 10 per message at level 1 Shape occurrences: max. 2 per message
 Function: group of segments specifying details of the mode and means of transport and date/time of departure and destination relevant to the whole despatch advice.
 Shape interchange: only segment TDT is used in segment group 6.

0240 TDT - DETAILS OF TRANSPORT

Segment group: 6 [TDT] Level: 1
 EDIFACT status: mandatory if segment group 6 is used Shape status: mandatory
 Maximum use: 1 per segment group 6 (max. 10) Shape occurrences: 1 per segment group 6
 Function: segment specifying the carriage, and the mode and means of transport of the goods being despatched.
 Shape interchange:

Example: TDT+25++LT++HMES::182'

A B C D

EDIFACT STANDARD DEFINITION						SHAPE IMPLEMENTATION		
REF	TAG	NAME	ST	FT	SP	ST	FT	REMARKS
A	8051	TRANSPORT STAGE QUALIFIER	M	an..3	+	M	an..3	For code value see below.
	8028	CONVEYANCE REFERENCE NR	C	an..17	+			
B	C220	MODE OF TRANSPORT	C			M		
	8067	Mode of transport, coded	C	an..3	:	M	an..3	For code value see below.
	8066	Mode of transport	C	an..17	+			
	C228	TRANSPORT MEANS	C					
C	8179	Type of means of transport id.	C	an..8	:			
	8178	Type of means of transport	C	an..17	+			
	C040	CARRIER	C			M		
	3127	Carrier identification	C	an..17	:	M	an..17	Valid SCAC code required.
	1131	Code list qualifier	C	an..3	:			
	D	3055	Code list responsible agency, coded	C	an..3	:	C	an..3
	3128	Carrier name	C	an..35	+			
	8101	TRANSIT DIRECTION, CODED	C	an..3	+			
	C401	EXCESS TRANSPORTATION INFORMATION	C					
	8457	Excess transportation reason, coded	M	an..3	:			
	8459	Excess transportation responsibility, coded	M	an..3	:			
	7130	Customer authorization number	C	an..17	+			
	C222	TRANSPORT IDENTIFICATION	C					
	8213	Id. of means of transport identification	C	an..9	:			
	1131	Code list qualifier	C	an..3	:			
	3055	Code list responsible agency, coded	C	an..3	:			
	8212	Id. of the means of transport	C	an..35	:			
	8453	Nationality of means of transport, coded	C	an..3	+			
8281	TRANSPORT OWNERSHIP, CODED	C	an..3	:				

CODE VALUES

3055 - Code list responsible agency, coded

182 Standard Carrier Alpha Code (SCAC)

8051 - Transport stage qualifier

12 At departure
Transport by which goods are moved from the place of departure. Pick-up SCAC.

25 Delivery carrier all transport.
Carrier responsible from the point of origin to the final delivery destination.

8067 - Mode of transport, coded

General Codes to be used for Shape, more detailed Codes may need to be implemented on request of Shape Implementation Plant:

A Air
AC Air Charter
AE Air Express
C Consolidation
D Parcel Post
E Expedited Truck
FA Air Freight Forwarder
G Piggyback
GS Progressive pick-up (milk run)
H Customer Pick-up
J Motor
LT Less than trailer load
R Rail
SE Sea/Air
SR Supplier Truck
SS Steamship
T Best way
TC (Taxi) Cab
U Private Parcel Service
VE Vessel, Ocean
W Inland Waterway

Segment group 8: EQD-MEA-SEL-EQA-SG9

Segment group: 8 Level: 1
 EDIFACT status: conditional Shape status: mandatory
 Maximum use: 10 per message at level 1 Shape occurrences: max. 10 per message
 Function: group of segments providing information relative to the equipment used for the transportation of goods relevant to the whole despatch advice.
 Shape interchange: only segments EQD and SEL are used in segment group 8.

0300 EQD - EQUIPMENT DETAILS

Segment group: 8 [EQD] Level: 1
 EDIFACT status: mandatory if segment group 08 is used Shape status: mandatory
 Maximum use: 1 per segment group 8 (max. 10) Shape occurrences: 1 per segment group 8
 Function: segment to define fixed information regarding equipment used in conjunction with the whole despatch advice, and if required, to indicate responsibility for supply of the equipment.
 Shape interchange: see remarks.

Example: **EQD+TE+TRAILER 001'**
 A B

EDIFACT STANDARD DEFINITION						SHAPE IMPLEMENTATION		
REF	TAG	NAME	ST	FT	SP	ST	FT	REMARKS
A	8053	EQUIPMENT QUALIFIER	M	an..3	+	M	an..3	For code value see below.
	C237	<i>EQUIPMENT IDENTIFICATION</i>	C			M		
B	8260	Equipment identification number	C	an..17	:	M	an..17	Used to identify equipment number, such as railcar or trailer number including initials.
	1131	Code list qualifier	C	an..3	:			
	3055	Code list responsible agency, coded	C	an..3	:			
	3207	Country, coded	C	an..3	+			
	C224	<i>EQUIPMENT SIZE AND TYPE</i>	C					
	8155	Equipment size and type id.	C	an..10	:			
	1131	Code list qualifier	C	an..3	:			
	3055	Code list responsible agency, coded	C	an..3	:			
	8154	Equipment size and type	C	an..35	+			
	8077	EQUIPMENT SUPPLIER, CODED	C	an..3	+			
	8249	EQUIPMENT STATUS, CODED	C	an..3	+			
	8169	FULL/EMPTY INDICATOR, CODED	C	an..3	'			

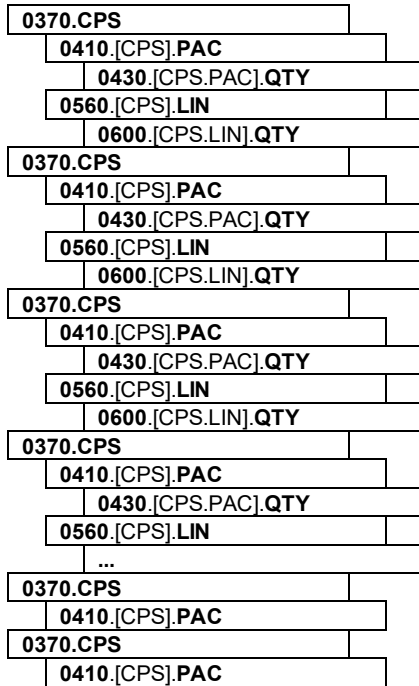
CODE VALUES

8053 - Equipment qualifier

- CN** Container
Equipment item as defined by ISO for transport. It must be of: A) permanent character, strong enough for repeated use; B) designed to facilitate the carriage of goods, by one or more modes of transport, without intermediate reloading; C) fitted with devices for its ready handling, particularly.
- RR** Railcar
Registered identification number of railway wagon
- TE** Trailer
A vehicle without motive power, designed for the carriage of cargo and to be towed by a motor vehicle.

Segment group 10: CPS-FTX-SG11-SG15

Segment group: 10 [CPS] Level: 1
 EDIFACT status: conditional Shape status: mandatory
 Maximum use: 9999 per message Shape occurrences: max 499 occurrences per msg.
 Function: group of segments providing details of all package levels and of the individual despatched items contained in the consignment. This segment group provides the capability to give the hierarchical packing relationships. The group defines a logical top-down order structure. The lowest level package information of the hierarchy is followed by the detail product information.
 Shape interchange: only segment CPS is used in segment group 10. Segment group 10 may be used as detailed below:



Inner level (7075 = 1)
Inner level package for part number 1
Quantity per pack for part number 1
Part number 1
Part number 1 quantity
Inner level (7075 = 1)
Inner level package for part number 2
Quantity per pack for part number 2
Part number 2
Part number 2 quantity
Inner level (7075 = 1)
Inner level package for part number 3
Quantity per pack for part number 3
Part number 3
Part number 3 quantity
Inner level (7075 = 1)
Inner level package for part number 4
Quantity per pack for part number 4
Part number 4
...
Outer level (7075 = 3)
Outer level package, e.g. top of pallet
Outer level (7075 = 3)
Outer level package, e.g. pallet

DESCRIPTION OF CPS FOR INNER PACKING

0380

CPS - CONSIGNMENT PACKING SEQUENCE

(7075 = 1)

Segment group: 10 [CPS] Level: 1
 EDIFACT status: mandatory if segment group 10 is used Shape status: mandatory
 Maximum use: 1 per segment group 10 (max.9999) Shape occurrences: max 499 occurrences per msg.
 Function: segment identifying the sequence in which packing of the consignment occurs, e.g. boxes loaded onto a pallet.
 Shape interchange: see remarks.
 Example: **CPS+1++4'**
 A B

EDIFACT STANDARD DEFINITION						SHAPE IMPLEMENTATION		
REF	TAG	NAME	ST	FT	SP	ST	FT	REMARKS
A	7164	HIERARCHICAL ID. NUMBER	M	an..12	+	M	an..12	A unique number assigned by the sender to identify a level within a hierarchical structure. Begins with the number 1 and increments by one for each occurrence within the message. Numbers are not to be repeated within the same message.
	7166	HIERARCHICAL PARENT ID.	C	an..12	+			
B	7075	PACKAGING LEVEL, CODED	C	an..3	'	M	an..3	For code value see below.

CODE VALUES

7075 - Packaging Level, Coded

- 1 Inner
Level of packing, if it exists, that is immediately subordinate to the intermediate packaging level.
- 3 Outer
For packed merchandise, outermost level of packaging for a shipment
Description of CPS for outer package level is provided on page 52 in line with the message structure.
- 4 There is no specifiable level of packaging: packaging is inner and outer level as well
Note: Use code 4 for Packaging level, Coded – 7075

Segment group 11: PAC-MEA-QTY-SG12-SG13

Segment group: 11 [CPS.QTY.SG11] Level: 2
 EDIFACT status: mandatory Shape status: mandatory
 Maximum use: 999 per CPS in segment group 10 Shape occurrences: 1 per segment group 10
 Function: group of segments identifying packaging, physical dimensions, marks and numbers, quantities, date and time information, handling information and information about packing at this level.
 Shape interchange: only the segments PAC and QTY are used in segment group 11.

0410 PAC - PACKAGE

Segment group: 11 [CPS.PAC] Level: 2
 EDIFACT status: mandatory if segment group 11 is used Shape status: mandatory
 Maximum use: 1 per segment group 11 (max. 9999 per CPS) Shape occurrences: 1 per segment group 11
 Function: segment specifying the number and type of the packages/physical units and the physical type of packaging for the despatched goods.
 Shape interchange:

Example: **PAC+8++PALLET'**
 A B

EDIFACT STANDARD DEFINITION						SHAPE IMPLEMENTATION		
REF	TAG	NAME	ST	FT	SP	ST	FT	REMARKS
A	7224	NUMBER OF PACKAGES	C	n..8	+	M	n..8	Number of packages.
	C531	<i>PACKAGING DETAILS</i>	C					
	7075	Packaging level, coded	C	an..3	:			
	7233	Packaging related information, coded	C	an..3	:			
	7073	Packaging terms and conditions, coded	C	an..3	+			
B	C202	<i>PACKAGE TYPE</i>	C			M		
	7065	Type of packages identification	C	an..17	:	M	an..17	Identification of the container used for the shipment of the part number identified in the following LIN segment.
	1131	Code list qualifier	C	an..3	:			
	3055	Code list responsible agency, coded	C	an..3	:			
	7064	Type of packages	C	an..35	+			
	C402	<i>PACKAGE TYPE IDENTIFICATION</i>	C					
	7077	Item description type, coded	M	an..3	:			
	7064	Type of packages	M	an..35	:			
	7143	Item number type, coded	C	an..3	:			
	7064	Type of packages	C	an..35	:			
	7143	Item number type, coded	C	an..3	+			
	C532	<i>RETURNABLE PACKAGE DETAILS</i>	C					
	8395	Returnable package freight payment responsibility, coded	C	an..3	:			
	8393	Returnable package load contents, coded	C	an..3	:			

0430 QTY - QUANTITY

Segment group: 11 [[CPS.QTY.SG11] Level: 2
 EDIFACT status: conditional Shape status: conditional
 Maximum use: 10 per CPS Shape occurrences: max. 1 per segment group 11
 Function: segment to give quantity information per package.
 Shape interchange: Must be provided by Suppliers sending packaging information (CPS code 1 or 3 ONLY)

Example: **QTY+52:0400:C62'**
 A B C



Quantity per pack Mandatory for segment group 11 ONLY

	C186	QUANTITY DETAILS	M			M		
A	6063	Quantity qualifier	M	an..3	:	M	an..3	"52" = Quantity per pack Quantity in each packaging unit. For code value see UN/ECE Recommendation no. 20.
B	6060	Quantity	M	n..15	:	M	n..12	
C	6411	Measure unit qualifier	C	an..3	'	C	an..3	

Segment group 13: PCI-RFF-DTM-GIR-SG14

Segment group: 13 [CPS.PAC.SG13] Level: 3
 EDIFACT status: conditional Shape status: mandatory
 Maximum use: 1000 per PAC in segment group 11 Shape occurrences: as required
 Function: group of segments specifying markings, labels, and packaging numbers.
 Shape interchange: see segment description

0480 PCI - PACKAGE IDENTIFICATION

Segment group: 13 [CPS.PAC.PCI] Level: 3
 EDIFACT status: mandatory if segment group 13 is used Shape status: mandatory
 Maximum use: 1 per segment group 13 (max.1000 per CPS) Shape occurrences: 1 per segment group 13
 Function: segment specifying marking and labels used on individual packages or a range of packages.
 Shape interchange: see remarks.

Example: **PCI+16'**
 A

EDIFACT STANDARD DEFINITION						SHAPE IMPLEMENTATION		
REF	TAG	NAME	ST	FT	SP	ST	FT	REMARKS
A	4233	MARKING INSTRUCTIONS, CODED	M	an..3	+	M	an..3	"16" = Buyer's instructions.
	C210	MARKS & LABELS	C					
	7102	Shipping marks	M	an..35	:			
	7102	Shipping marks	C	an..35	:			
	7102	Shipping marks	C	an..35	:			
	7102	Shipping marks	C	an..35	:			
	7102	Shipping marks	C	an..35	:			
	7102	Shipping marks	C	an..35	:			
	7102	Shipping marks	C	an..35	:			
	7102	Shipping marks	C	an..35	:			
	7102	Shipping marks	C	an..35	:			
	7102	Shipping marks	C	an..35	+			
	8275	CONTAINER/PACKAGE STATUS, CODED	C	an..3	+			
	C827	TYPE OF MARKING	C					
	7511	Type of marking, coded	M	an..3	:			
	1131	Code list qualifier	C	an..3	:			
	3055	Code list responsible agency, coded	C	an..3	'			

0490 RFF - REFERENCE

Segment group: 13 [CPS.PAC.PCI.RFF] Level: 4
 EDIFACT status: conditional Shape status: optional
 Maximum use: 1 per PCI in segment group 13 Shape occurrences: 1 per PCI in segment group 13
 Function: segment for referencing the package identification, e.g. master label number.
 Shape interchange: see remarks.

Example: **RFF+AAT:ABC0257606'**
 A B

EDIFACT STANDARD DEFINITION						SHAPE IMPLEMENTATION		
REF	TAG	NAME	ST	FT	SP	ST	FT	REMARKS
	C506	REFERENCE	M			M		
A	1153	Reference qualifier	M	an..3	:	M	an..3	For code values see below.
B	1154	Reference number	C	an..35	:	C	an..10	Number as qualified in 1153 above.
	1156	Line number	C	an..6	:			
	4000	Reference version number	C	an..35	'			

CODE VALUES

1153 - Reference qualifier.

AAT Master number.
 Reference number identifying the serial number of the master unit.

0510 GIR - RELATED IDENTIFICATION NUMBERS

Segment group: 13 [CPS.PAC.PCI.GIR] Level: 4
 EDIFACT status: conditional Shape status: mandatory
 Maximum use: 99 per PCI in segment group 13 Shape occurrences: as required
 Function: segment providing set of package identification related numbers, e.g. a package label number and a Heat/Batch number assigned to the same package
 Shape interchange: see remarks.
 Conditional on use of Heat/Batch number.

Example: **GIR+3+ABC0001:AW'** Serial number only
GIR+3+ABC0001:AW+0000005:BX Heat/Batch number with serial number
 A B C D E

EDIFACT STANDARD DEFINITION						SHAPE IMPLEMENTATION			
REF	TAG	NAME	ST	FT	SP	ST	FT	REMARKS	
A	7297	SET IDENTIFICATION QUALIFIER	M	an..3	+	M	an..3	"3" = Package.	
	C206	IDENTIFICATION NUMBER	M			M			
B	7402	Identity number	M	an..35	:	M	an..35	Actual identity number	
C	7405	Identity number qualifier	C	an..3	:	M	an..3	"AW" = Serial number from shipping container (Barcode Label serial number)	
	4405	Status, coded	C	an..3	+				
	C206	IDENTIFICATION NUMBER	C			C			
D	7402	Identity number	M	an..35	:	M	an..35	Actual identity number	
E	7405	Identity number qualifier	C	an..3	:	M	an..3	"BX" = Heat/Batch Number	
	4405	Status, coded	C	an..3	+				
	C206	IDENTIFICATION NUMBER	C						
	7402	Identity number	M	an..35	:				
	7405	Identity number qualifier	C	an..3	:				
	4405	Status, coded	C	an..3	+				
	C206	IDENTIFICATION NUMBER	C						
	7402	Identity number	M	an..35	:				
	7405	Identity number qualifier	C	an..3	:				
	4405	Status, coded	C	an..3	+				
	C206	IDENTIFICATION NUMBER	C						
	7402	Identity number	M	an..35	:				
	7405	Identity number qualifier	C	an..3	:				
	4405	Status, coded	C	an..3	+				

See Section 3.8 for example of multiple Heats and multiple parts.

GIR segment must be used in conjunction with parent segments CPS, PAC, PCI, and RFF.

Segment group 15: LIN-PIA-IMD-MEA-QTY-ALI-GIN-GIR-DLM-DTM-NAD-TDT-HAN-FTX-MOA-SG16-SG17-SG18-SG19-SG20-SG23

Segment group: 15 [CPS.SG15] Level: 2
 EDIFACT status: conditional Shape status: conditional
 Maximum use: 9999 Shape occurrences: Max of 499 per ASN
 Function: group of segments providing details of the individual despatched items.
 Shape interchange: only LIN, PIA, QTY and TDT are used in segment group 15.

0560 LIN - LINE ITEM

Segment group: 15 [CPS.LIN] Level: 2
 EDIFACT status: mandatory if segment group 15 is used Shape status: mandatory
 Maximum use: 1 per segment group 15 (max. 9999 per CPS) Shape occurrences: 1 per segment group 15
 Function: segment identifying the product being despatched. All other segments in the detail section following the LIN segment refer to that line item.

Shape interchange:

Example: **LIN+++123456-20:IN+01:EC'**
 A B C D

EDIFACT STANDARD DEFINITION						SHAPE IMPLEMENTATION		
REF	TAG	NAME	ST	FT	SP	ST	FT	REMARKS
	1082	LINE ITEM NUMBER	C	n..6	+	C	n..6	
	1229	ACTION REQUEST/ NOTIFICATION, CODED	C	an..3	+			
A	C212	<i>ITEM NUMBER IDENTIFICATION</i>	C			M		
	7140	Item number	C	an..35	:	M	an..35	Shape assigned part number.
B	7143	Item number type, coded	C	an..3	:	M	an..3	"IN" = Buyer's item number.
	1131	Code list qualifier	C	an..3	:			
	3055	Code list responsible agency, coded	C	an..3	+			
C	C212	<i>ITEM NUMBER IDENTIFICATION</i>	C			M		
	7140	Item number	C	an..35	:	M	an..35	Identification of the Revision Level.
D	7143	Item number type, coded	C	an..3	:	M	an..3	"EC" = Revision level.
	1131	Code list qualifier	C	an..3	:			
	3055	Code list responsible agency, coded	C	an..3	+			
	C829	<i>SUB-LINE INFORMATION</i>	C					
	5495	Sub-line indicator, coded	C	an..3	:			
	1082	Line item number	C	n..6	+			
	1222	CONFIGURATION LEVEL	C	n..2	+			
	7083	CONFIGURATION, CODED	C	an..3	'			

CODE VALUES

7143 – Item Number Type, Coded

IN Buyer's Item Number.
 EC Revision Level

***** A maximum of 499 line items are permitted per ASN *****

0580 IMD - ITEM DESCRIPTION

Segment group: 15 [CPS.LIN.IMD] Level: 3
 EDIFACT status: conditional Shape status: optional
 Maximum use: 25 per LIN in segment group 15 Shape occurrences: as required
 Function: segment to describe an item in either an industry or free format.
 Shape interchange: see remarks.

Example: **IMD+++::IC-BIPOLAR,OSU'**
IMD+++::DESCRIPTION:DESCRIPTION'
 A B

Function:

EDIFACT STANDARD DEFINITION						SHAPE IMPLEMENTATION		
REF	TAG	NAME	ST	FT	SP	ST	FT	REMARKS
	7077	ITEM DESCRIPTION TYPE, CODED	C	an..3	+			
	7081	ITEM CHARACTERISTIC, CODED	C	an..3	+			
	C273	<i>ITEM DESCRIPTION</i>	C					
	7009	Item description identification	C	an..17	:			
	1131	Code list qualifier	C	an..3	:			
	3055	Code list responsible agency, coded	C	an..3	:			
A	7008	Item description	C	an..35	:	C	an..35	Actual description
B	7008	Item description	C	an..35	:	C	an..35	Actual description
	3453	Language, coded	C	an..3	+			
	7383	SURFACE/LAYER INDICATOR, CODED	C	an..3	'			

0600 QTY - QUANTITY

Segment group: 15 [CPS.LIN.QTY] Level: 3
 EDIFACT status: conditional Shape status: mandatory
 Maximum use: 10 per preceding LIN Shape occurrences: max. 2 per segment group 15
 Function: segment to give quantity information concerning the product.
 Shape interchange: see remarks.

Example: QTY+3:28800:C62'
 QTY+12:14400:C62'
 A B C

EDIFACT STANDARD DEFINITION						SHAPE IMPLEMENTATION		
REF	TAG	NAME	ST	FT	SP	ST	FT	REMARKS
Cumulative quantity shipped since creation of purchase order Mandatory								
	C186	QUANTITY DETAILS	M			M		
A	6063	Quantity qualifier	M	an..3	:	M	an..3	"3" = Cumulative quantity. Cumulative quantity of the part identified in the preceding LIN, shipped since creation of purchase order by this supplier to this plant. (3 decimal positions allowed) For code value see UN/ECE Recommendation no. 20.
B	6060	Quantity	M	n..15	:	M	n..12	
C	6411	Measure unit qualifier	C	an..3	'	C	an..3	

Despatch quantity Mandatory								
	C186	QUANTITY DETAILS	M			M		
A	6063	Quantity qualifier	M	an..3	:	M	an..3	"12" = Despatch quantity Actual quantity as defined in 6063 above. (3 decimal positions allowed) For code value see UN/ECE Recommendation no. 20. (This must be the same Unit of Measure provided on the corresponding shipment authorization document.)
B	6060	Quantity	M	n..15	:	M	n..12	
C	6411	Measure unit qualifier	C	an..3	'	C	an..3	

Note: Cumulative quantities are from the start of the PO. They are unique to a combination of PO/Supplier/Part number/Revision.

Segment group 16: RFF-NAD-CTA-DTM

Segment group: 16 [CPS.LIN.SG16] Level: 3
 EDIFACT status: conditional Shape status: mandatory
 Maximum use: 99 per LIN in segment group 15 Shape occurrences: 1 per segment group 15
 Function: group of segments to give reference numbers and dates.
 Shape interchange: only RFF is used in segment group 16.

0720 RFF - REFERENCE

Segment group: 16 [SEQ.LIN.RFF] Level: 3
 EDIFACT status: mandatory if segment group 16 is used Shape status: mandatory
 Maximum use: 1 per segment group 16 (max.99 per LIN) Shape occurrences: 2 per segment group 16
 Function: segment identifying documents related to the line item.
 Shape interchange: see remarks.

Example: **RFF+ON:0550012345'**
 A B

EDIFACT STANDARD DEFINITION						SHAPE IMPLEMENTATION		
REF	TAG	NAME	ST	FT	SP	ST	FT	REMARKS
	C506	REFERENCE	M			M		
A	1153	Reference qualifier	M	an..3	:	M	an..3	See list
B	1154	Reference number	C	an..35	:	C	an..35	Number of the Purchase Order relevant for the article defined in the preceding LIN.
	1156	Line number	C	an..6	:			
	4000	Reference version number	C	an..35	'			

1153 – Reference Number

ON Purchase Order Number

3.8. EXAMPLE OF MESSAGE

SAMPLE DESADV MESSAGE – Components

The following example is only illustrative and may not reflect an existing situation as either a test or production transmission.

UNB+UNOA:2+QQQ:ZZ+065859555:01+180316:0959+233'	<i>Supplier Mailbox ID; Shape Mailbox ID:01</i>
UNH+4+DESADV:D:97A:UN'	<i>Document Type, Version</i>
BGM++ABC123456+9'	<i>Shipment Identification Number (With 3 character prefix)</i>
DTM+137:200303250200:203'	<i>Document issue date/time</i>
DTM+11:200303250200:203'	<i>Dispatch date/time</i>
MEA+AAX+G+LBR:200'	<i>Shipment gross weight</i>
MEA+AAX+N+LBR:180'	<i>Shipment net weight</i>
MEA+AAX+SQ+C62:6'	<i>Total number of Lading units</i>
RFF+MB:123456'	<i>Master Bill of Lading</i>
NAD+MI+065859555::16'	<i>Shape Divisional DUNS number(may differ per location or division)</i>
NAD+ST+79870-1505::92'	<i>Ship to location code</i>
NAD+SU+123456789::16'	<i>Supplier DUNS number</i>
TDT+12++LT++HMES::182'	<i>Details of transport; Carrier SCAC code</i>
EQD+TE+TRAILER'	<i>Equipment Identification</i>
CPS+1+++4'	<i>Packaging details of first part number</i>
PAC+4+++PALLET'	<i>Packing details of first part number</i>
QTY+52:3600:C62'	<i>Quantity per serial number for first part number</i>
PCI+16'	
GIR+3+ABC0000001:AW'	<i>Container serial number for first part number</i>
GIR+3+ABC0000005:AW'	<i>Container serial number for first part number</i>
GIR+3+ABC0000007:AW'	<i>Container serial number for first part number</i>
GIR+3+ABC0000013:AW'	<i>Container serial number for first part number</i>
LIN+++123456-20:IN+01:EC'	<i>First part number and revision</i>
QTY+3:28800:C62'	<i>Cumulative shipped quantity</i>
QTY+12:14400:C62'	<i>Actual shipped quantity</i>
RFF+ON:0550012345'	<i>Purchase Order number</i>
CPS+2+++4'	<i>Packaging details of second part number</i>
PAC+2+++CONTAINER'	<i>Packing details of second part number</i>
QTY+52:400:C62'	<i>Quantity per serial number for second part number</i>
PCI+16'	
GIR+3+ABC0000004:AW'	<i>Container serial number for second part number</i>
GIR+3+ABC0000030:AW'	<i>Container serial number for second part number</i>
LIN+++654321-20:IN+02:EC'	<i>Second part number and revision</i>
QTY+3:9600:C62'	<i>Cumulative shipped quantity</i>
QTY+12:800:C62'	<i>Actual shipped quantity</i>
RFF+ON:0550054321'	<i>Purchase Order number</i>
UNT+36+4'	<i>Segment count, UNH through UNT inclusive</i>
UNZ+1+233'	<i>Message count</i>

For purposes of readability, the message has been shown with each segment on a separate line. This will not be the case when the message is normally transmitted.

Values **bolded** in the above sample DESADV message are examples of values from the segments that must be returned from the corresponding DELFOR. The table below describes these segments and the segments that are to be returned from the DELFOR. For purposes of eliminating redundancy, only values in the first message are bolded and described below.

DELFOR Segment	DELFOR Example:	DESADV Segment	DESADV Example:
RFF+ON	RFF+ON: 0550012345'	RFF+ON	RFF+ON: 0550012345'
NAD+MI	NAD+MI+ 065859555::16'	NAD+MI	NAD+MI+ 065859555::16'
NAD+SU	NAD+SU+ 999123456::16'	NAD+SU	NAD+SU+ 999123456::16'
NAD+ST	NAD+ST+ 79870-1505::92++1900 HAYES'	NAD+ST	NAD+ST+ 79870-1505::92'
LIN	LIN+++ 123456-20:IN'	LIN	LIN+++ 123456-20:IN+01:EC'
PIA	PIA+1+ 01:EC'	LIN	LIN+++123456-20:IN+ 01:EC'

SAMPLE DESADV MESSAGE – Raw Materials

The following example is only illustrative and may not reflect an existing situation as either a test or production transmission.

UNB+UNOA:2+QQQ:ZZ+065859555:01+180316:0959+233'	<i>*Supplier Mailbox ID; Shape Mailbox ID:01</i>
UNH+4+DESADV:D:97A:UN'	<i>Document Type, Version</i>
BGM++123456+9'	<i>Shipment Identification Number</i>
DTM+137:200303250200:203'	<i>Document issue date/time</i>
DTM+11:200303250200:203'	<i>Dispatch date/time</i>
MEA+AAX+G+LBR:200'	<i>Shipment gross weight</i>
MEA+AAX+N+LBR:180'	<i>Shipment net weight</i>
MEA+AAX+SQ+C62:6'	<i>Total number of Lading units</i>
RFF+MB:123456'	<i>Master Bill of Lading</i>
NAD+MI+065859555::16'	<i>Shape Divisional DUNS number(may differ per location or division)</i>
NAD+ST+79870-1505::92'	<i>Ship to location code</i>
NAD+SU+123456789::16'	<i>Supplier DUNS number</i>
TDT+12++LT++HMES::182'	<i>Details of transport; Carrier SCAC code</i>
EQD+TE+TRAILER'	<i>Equipment Identification</i>
CPS+1+++4'	<i>Packaging details of first part number</i>
PAC+4+++COIL'	<i>Packing details of first part number</i>
QTY+52:3600:C62'	<i>Quantity per serial number for first part number</i>
PCI+16'	
GIR+3+ABC0000001:AW+HEAT1:BX'	<i>Serial number and heat/batch for first part number</i>
GIR+3+ABC0000002:AW+HEAT1:BX'	<i>Serial number and heat/batch for first part number</i>
GIR+3+ABC0000003:AW+HEAT1:BX'	<i>Serial number and heat/batch for first part number</i>
GIR+3+ABC0000004:AW+HEAT1:BX'	<i>Serial number and heat/batch for first part number</i>
LIN+++123456-20:IN+01:EC'	<i>First part number and revision</i>
QTY+3:28800:C62'	<i>Cumulative shipped quantity</i>
QTY+12:14400:C62'	<i>Actual shipped quantity</i>
RFF+ON:0550012345'	<i>Purchase Order number</i>
CPS+2+++4'	<i>Packaging details of second part number</i>
PAC+2++GAYLORD'	<i>Packing details of first part number</i>
QTY+52:400:C62'	<i>Quantity per serial number for second part number</i>
PCI+16'	
GIR+3+ABC0000007:AW+HEAT2:BX'	<i>Serial number and heat/batch for second part number</i>
GIR+3+ABC0000008:AW+HEAT2:BX'	<i>Serial number and heat/batch for second part number</i>
LIN+++654321-20:IN+02:EC'	<i>Second part number and revision</i>
QTY+3:9600:C62'	<i>Cumulative shipped quantity</i>
QTY+12:800:C62'	<i>Actual shipped quantity</i>
RFF+ON:0550012345'	<i>Scheduling Agreement (Purchase Order number)</i>
UNT+36+4'	<i>Segment count, UNH through UNT inclusive</i>
UNZ+1+233'	<i>Message count</i>

For purposes of readability, the message has been shown with each segment on a separate line. This will not be the case when the message is normally transmitted.

Values **bolded** in the above sample DESADV message are examples of values from the segments that must be returned from the corresponding DELFOR. The table below describes these segments and the segments that are to be returned from the DELFOR. For purposes of eliminating redundancy, only values in the first message are bolded and described below.

DELFOR Segment	DELFOR Example:	DESADV Segment	DESADV Example:
RFF+ON	RFF+ON: 0550012345 '	RFF+ON	RFF+ON: 0550012345 '
NAD+MI	NAD+MI+ 065859555 ::16'	NAD+MI	NAD+MI+ 065859555 ::16'
NAD+SU	NAD+SU+ 999123456 ::16'	NAD+SU	NAD+SU+ 999123456 ::16'
NAD+ST	NAD+ST+ 79870-1505 ::92++1900 HAYES'	NAD+ST	NAD+ST+ 79870-1505 ::92'
LIN	LIN+++ 123456-20 :IN'	LIN	LIN+++ 123456-20 :IN+01:EC'
PIA	PIA+1+ 01 :EC'	LIN	LIN+++123456-20:IN+ 01 :EC'

For ease of reading the message has been shown with each segment type on a separate line, which will not be the case when the message is normally transmitted.

Example of multiple Heat/Batch numbers and multiple parts

UNB+UNOA:2+QQQ:ZZ+065859555:01+180716:0959+1
 UNH+1+DESADV:D:97A:UN'
 BGM++ABC202225+9'
 DTM+137:201807161639:203'
 DTM+11:201807161639:203'
 MEA+AAX+G+LBR:1551'
 MEA+AAX+N+LBR:880'
 MEA+AAX+SQ+C62:8'
 RFF+BM:ABC202225'
 RFF+CN:53619295'
 NAD+MI+065859555::16'
 NAD+ST+79870-1505::92'
 NAD+SU+123456789::16'
 NAD+SF+123456789::16'
 TDT+12++LT++HMES::182'
 EQD+TE+HMES200433'
 CPS+1++4'
 PAC+1++CTN90'
 QTY+52:3200:C62'
 PCI+16'
 GIR+3+ABC000001:AW+HEAT001:BX'
 LIN+++123456-20:IN+03:EC'
 IMD+++::EGR'
 QTY+3:72400:C62'
 QTY+12:3200:C62'
 RFF+ON:0550001234'
 CPS+2++4'
 PAC+4++CTN90'
 QTY+52:4000:C62'
 PCI+16'
 GIR+3+ABC000029:AW+HEAT002:BX'
 GIR+3+ABC000042:AW+HEAT002:BX'
 GIR+3+ABC000049:AW+HEAT002:BX'
 GIR+3+ABC000050:AW+HEAT003:BX'
 LIN+++654321-20:IN+01:EC'
 IMD+++::TPS'
 QTY+3:416000:C62'
 QTY+12:16000:C62'
 RFF+ON:0550012345'
 CPS+3++4'
 PAC+3++CTN90'
 QTY+52:500:C62'
 PCI+16'
 GIR+3+ABC000008:AW+HEAT004:BX'
 GIR+3+ABC000009:AW+HEAT004:BX'
 GIR+3+ABC000003:AW+HEAT004:BX'
 LIN+++987654:IN+01:EC'
 IMD+++::TPS'
 QTY+3:12093:C62'
 QTY+12:1500:C62'
 RFF+ON:0550054321'
 UNT+50+1'
 UNZ+1+1'

Example of homogenous pallet (master units)

UNB+UNOA:2+QQQ:ZZ+065859555:01+180716:0959+1
UNH+1+DESADV:D:97A:UN'
BGM++ABC202225+9'
DTM+137:201807161639:203'
DTM+11:201807161639:203'
MEA+AAX+G+LBR:1551'
MEA+AAX+N+LBR:880'
MEA+AAX+SQ+C62:7'
RFF+BM:ABC202225'
RFF+CN:53619295'
NAD+MI+065859555::16'
NAD+ST+79870-1505::92'
NAD+SU+123456789::16'
NAD+SF+123456789::16'
TDT+12++LT++HMES::182'
EQD+TE+HMES200433'
CPS+1++4'
PAC+4++CTN90'
QTY+52:4000:C62'
PCI+16'
RFF+AAT:ABCM0001'
GIR+3+ABC000029:AW+HEAT002:BX'
GIR+3+ABC000042:AW+HEAT002:BX'
GIR+3+ABC000049:AW+HEAT002:BX'
GIR+3+ABC000050:AW+HEAT003:BX'
LIN+++654321-20:IN+01:EC'
IMD+++::TPS'
QTY+3:416000:C62'
QTY+12:16000:C62'
RFF+ON:0550012345'
CPS+2++4'
PAC+3++CTN90'
QTY+52:500:C62'
PCI+16'
RFF+AAT:ABCM0002'
GIR+3+ABC000008:AW+HEAT004:BX'
GIR+3+ABC000009:AW+HEAT004:BX'
GIR+3+ABC000003:AW+HEAT004:BX'
LIN+++987654:IN+01:EC'
IMD+++::TPS'
QTY+3:12093:C62'
QTY+12:1500:C62'
RFF+ON:0550054321'
UNT+42+1'
UNZ+1+1'

Example of heterogeneous pallet (mixed master units)

UNB+UNOA:2+QQQ:ZZ+065859555:01+180716:0959+1
 UNH+1+DESADV:D:97A:UN'
 BGM++ABC202225+9'
 DTM+137:201807161639:203'
 DTM+11:201807161639:203'
 MEA+AAX+G+LBR:1551'
 MEA+AAX+N+LBR:880'
 MEA+AAX+SQ+C62:7'
 RFF+BM:ABC202225'
 RFF+CN:53619295'
 NAD+MI+065859555::16'
 NAD+ST+79870-1505::92'
 NAD+SU+123456789::16'
 NAD+SF+123456789::16'
 TDT+12++LT++HMES::182'
 EQD+TE+HMES200433'
 CPS+1++4'
 PAC+4++CTN90'
 QTY+52:4000:C62'
 PCI+16'
 RFF+AAT:ABCM0001'
 GIR+3+ABC000029:AW+HEAT002:BX'
 GIR+3+ABC000042:AW+HEAT002:BX'
 GIR+3+ABC000049:AW+HEAT002:BX'
 GIR+3+ABC000050:AW+HEAT003:BX'
 LIN+++654321-20:IN+01:EC'
 IMD+++::TPS'
 QTY+3:416000:C62'
 QTY+12:16000:C62'
 RFF+ON:0550012345'
 CPS+2++4'
 PAC+3++CTN90'
 QTY+52:500:C62'
 PCI+16'
 RFF+AAT:ABCM0001'
 GIR+3+ABC000008:AW+HEAT004:BX'
 GIR+3+ABC000009:AW+HEAT004:BX'
 GIR+3+ABC000003:AW+HEAT004:BX'
 LIN+++987654:IN+01:EC'
 IMD+++::TPS'
 QTY+3:12093:C62'
 QTY+12:1500:C62'
 RFF+ON:0550054321'
 UNT+42+1'
 UNZ+1+1'

Note: this master is the same as the one below

Note: this master is the same as the one above

4. MESSAGE INFORMATION

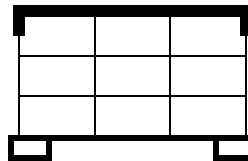
This section contains additional information related to the EDIFACT DESADV D97.A message.

4.1. PACKAGING INFORMATION

The following examples illustrate some situations that could occur when using master and mixed units.

EXAMPLE 1: one part number on one pallet.

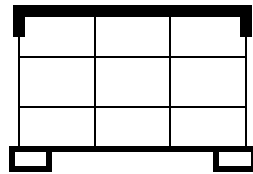
Situation: 2700 pieces of part number 123456-20 are despatched in 27 containers type CTN90. The 27 containers are loaded on one pallet.



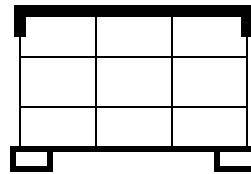
CPS+1++1'	1 st CPS segment
PAC+27+CTN90'	Container details
QTY+52:100:C62'	Quantity per container
PCI+16'	Package information
RFF+AAT:ABCM001'	Master unit serial number
GIR+3+ABC000001:AW'	Bar Code label Serial number
<i>Repeat GIR segments for all 27 containers using unique serial numbers matching the labels</i>	
LIN+1++123456-20:IN+02:EC'	Part number 1
QTY+12:2700:C62'	Despatched quantity part number 1
<i>Despatched quantity = Number of containers * quantity per container</i>	

EXAMPLE 2: one part number on several pallets.

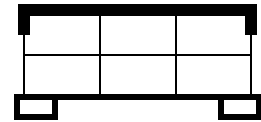
Situation: 7200 pieces of part number 123456-20 are despatched in 72 containers type CTN90. The 72 containers are loaded on 3 pallets.



27 KLT



27 KLT

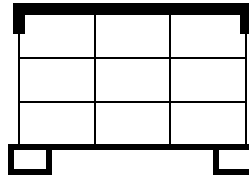


18 KLT

CPS+1++4'	1st CPS segment
PAC+27+CTN90'	KLT details
QTY+52:100:C62'	Quantity per container
PCI+16'	Package information
RFF+AAT:ABCM0001'	First master unit serial number
GIR+3+ABC00001:AW	Bar Code label Serial number
Repeat GIR segments for all 27 containers using unique serial numbers matching the labels	
LIN+1++123456-20:IN+02:EC'	Part number 1
QTY+12:2700:C62'	Despatched quantity part number 1
CPS+2++4'	2nd CPS segment
PAC+27+CTN90'	KLT details
QTY+52:100:C62'	Quantity per container
PCI+16'	Package information
RFF+AAT:ABCM0002'	Second master unit serial number
GIR+3+ABC00028:AW	Bar Code label Serial number
Repeat GIR segments for all 27 containers using unique serial numbers matching the labels	
LIN+1++123456-20:IN+02:EC'	Part number 1
QTY+12:2700:C62'	Despatched quantity part number 1
CPS+3++4'	3rd CPS segment
PAC+18+CTN90'	KLT details
QTY+52:100:C62'	Quantity per container
PCI+16'	Package information
RFF+AAT:ABCM0003'	Third master unit serial number
GIR+3+ABC00055:AW	Bar Code label Serial number
Repeat GIR segments for all 18 containers using unique serial numbers matching the labels	
LIN+1++123456-20:IN+02:EC'	Part number 1
QTY+12:1800:C62'	Despatched quantity part number 1

EXAMPLE 3 : different part numbers in same container type on one pallet with one cover.

Situation: 900 pieces of part number 123456-20, 1800 pieces of part number 654321-20 and 450 pieces of part number 987654 are despatched. Each part number is loaded in 9 containers type CTN90. The 27 containers are loaded on 1 pallet.



- ← PN 123456-20
- ← PN 654321-20
- ← PN 987654

CPS+1++1'	1st CPS segment
PAC+9+CTN90'	KLT details
QTY+52:100:C62'	Quantity per container
PCI+16+0001'	Package information
RFF+AAT:ABCM0001'	First master unit serial number
GIR+3+ABC00001:AW	Bar Code label Serial number
Repeat GIR segments for all 9 containers using unique serial numbers matching the labels	
LIN+1++123456-20:IN+02:EC'	Part number 1
QTY+12:900:C62'	Despatched quantity part number 1
CPS+2++1'	2nd CPS segment
PAC+9+CTN90'	KLT details
QTY+52:200:C62'	Quantity per container
PCI+16+0001'	Package information
RFF+AAT:ABCM0001'	First master unit serial number
GIR+3+ABC00028:AW	Bar Code label Serial number
Repeat GIR segments for all 9 containers using unique serial numbers matching the labels	
LIN+1++654321-20:IN+01:EC'	Part number 2
QTY+12:1800:C62'	Despatched quantity part number 2
CPS+3++1'	3rd CPS segment
PAC+9+CTN90'	KLT details
QTY+52:50:C62'	Quantity per container
PCI+16+0001'	Package information
RFF+AAT:ABCM0001'	First master unit serial number
GIR+3+ABC00055:AW	Bar Code label Serial number
Repeat GIR segments for all 9 containers using unique serial numbers matching the labels	
LIN+1++987654:IN+01:EC'	Part number 3
QTY+12:450:C62'	Despatched quantity part number 3

4.2. SEGMENTS REPERTORY

The following tables show all the data segments defined for the EDIFACT DESADV D97.A message, used as basis for the Shape ASN/Despatch Advice message.

4.2.1. Segments in alphabetical sequence

<u>Segment name</u>	<u>Tag</u>
Additional information	ALI
Additional product id	PIA
Attached equipment.....	EQA
Beginning of message.....	BGM
Communication contact.....	COM
Consignment packing sequence	CPS
Contact information.....	CTA
Control total.....	CNT
Dangerous goods.....	DGS
Date/time/period	DTM
Delivery limitations	DLM
Details of transport.....	TDT
Equipment details	EQD
Free text	FTX
Goods identity number.....	GIN
Handling instructions	HAN
Item description	IMD
Line item	LIN
Measurements	MEA
Monetary amount.....	MOA
Name and address	NAD
Package.....	PAC
Package identification.....	PCI
Percentage details	PCD
Place/location identification	LOC
Quantity.....	QTY
Quantity variances	QVR
Reference	RFF
Related identification numbers	GIR
Seal number	SEL
Split goods placement	SGP
Terms of delivery or transport	TOD

4.2.2. Segments in segment tag sequence

<u>Tag</u>	<u>Segment name</u>
ALI	Additional information
BGM	Beginning of message
CNT	Control total
COM	Communication contact
CPS	Consignment packing sequence
CTA	Contact information
DGS	Dangerous goods
DLM	Delivery limitations
DTM	Date/time/period
EQA	Attached equipment
EQD	Equipment details
FTX	Free text
GIN	Goods identity number
GIR	Related identification numbers
HAN	Handling instructions
IMD	Item description
<u>Tag</u>	<u>Segment name</u>

LIN	Line item
LOC	Place/location identification
MEA	Measurements
MOA	Monetary amount
NAD	Name and address
PAC	Package
PCD	Percentage details
PCI	Package identification
PIA	Additional product id
QTY	Quantity
QVR	Quantity variances
RFF	Reference
SEL	Seal number
SGP	Split goods placement
TDT	Details of transport
TOD	Terms of delivery or transport

4.3. DATA ELEMENTS REPERTORY

The following listings show all the data elements defined for the EDIFACT DESADV D97.A message, used as basis for the Shape Delivery Instruction message.

4.3.1. Service data elements in alphabetical sequence

List of data elements defined for the UNB, UNH, UNT and UNZ service segments.

<u>Data element name</u>	<u>Tag</u>
Acknowledgment Request.....	0031
Address for Reverse Routing.....	0008
Application Reference.....	0026
Association Assigned Code.....	0057
Common Access Reference.....	0068
Communications Agreement ID.....	0032
Controlling Agency.....	0051
Date of Preparation.....	0017
First / Last Message Indicator.....	0072
Identification Code Qualifier.....	0007
Interchange Control Count.....	0036
Interchange Control Reference.....	0020
Message Reference Number.....	0062
Message Type Identifier.....	0065
Message Type Release Number.....	0054
Message Type Version Number.....	0052
Number of Segments in Message.....	0074
Processing Priority Code.....	0029
Recipient Identification.....	0010
Recipient's Reference / Password.....	0022
Recipient's Reference / Password Qualifier.....	0025
Routing Address.....	0014
Sender Identification.....	0004
<u>Data element name</u>	<u>Tag</u>
Sequence Message Transfer Number.....	0070
Syntax Identifier.....	0001

Syntax Version Number	0002
Test Indicator	0035
Time of Preparation	0019

4.3.2. Service data elements in tag sequence

<u>Tag</u>	<u>Data element name</u>	<u>Segment(s)</u>
0001	Syntax Identifier	UNB
0002	Syntax Version Number	UNB
0004	Sender Identification	UNB
0007	Identification Code Qualifier	UNB
0008	Address for Reverse Routing	UNB
0010	Recipient Identification	UNB
0014	Routing Address	UNB
0017	Date of Preparation	UNB
0019	Time of Preparation	UNB
0020	Interchange Control Reference	UNB, UNZ
0022	Recipient's Reference / Password	UNB
0025	Recipient's Reference / Password Qualifier	UNB
0026	Application Reference	UNB
0029	Processing Priority Code	UNB
0031	Acknowledgment Request	UNB
0032	Communications Agreement ID	UNB
0035	Test indicator	UNB
0036	Interchange Control Count	UNZ
0051	Controlling Agency	UNH
0052	Message Type Version Number	UNH
0054	Message Type Release Number	UNH
0057	Association Assigned Code	UNH
0062	Message Reference Number	UNH, UNT
0065	Message Type Identifier	UNH
0068	Common Access Reference	UNH
0070	Sequence Message Transfer Number	UNH
0073	First/last Message Indicator	UNH
0074	Number of Segments in Message	UNT

4.3.3. Data elements in alphabetical sequence

List of data elements defined for the data segments contained in this message.

<u>Data element name</u>	<u>Tag</u>
Action request/notification, coded	1229
Back order, coded	4455
Carrier identification	3127
Carrier name	3128
Category of means of transport, coded	8325
Change reason	4294
Change reason, coded	4295
City name	3164
Code list qualifier	1131
Code list responsible agency, coded	3055
Communication channel qualifier	3155
Communication number	3148
Configuration, coded	7083
Configuration level	1222
<u>Data element name</u>	<u>Tag</u>
Contact function, coded	3139
Container package status, coded	8275
Country, coded	3207
Country of origin, coded	3239
Country sub-entity identification	3229

Conveyance reference number.....	8028
Currency, coded.....	6345
Currency qualifier.....	6343
Customer authorization number.....	7130
Dangerous goods flashpoint.....	7088
Dangerous goods label marking.....	8246
Dangerous goods regulations, coded.....	8273
Date/time/period.....	2380
Date/time/period format qualifier.....	2379
Date/time/period qualifier.....	2005
Delivery plan status indicator, coded.....	4017
Delivery requirements, coded.....	4493
Department or employee.....	3412
Department or employee identification.....	3413
Despatch pattern, coded.....	2015
Despatch pattern timing, coded.....	2017
Discrepancy, coded.....	4221
Document/message name.....	1000
Document/message name, coded.....	1001
Document/message number.....	1004
EMS number.....	8364
Equipment identification number.....	8260
Equipment qualifier.....	8053
Equipment size and type.....	8154
Equipment size and type id.....	8155
Equipment status, coded.....	8249
Equipment supplier, coded.....	8077
Excess transportation reason, coded.....	8457
Excess transportation responsibility, coded.....	8459
Free text.....	4440
Free text, coded.....	4441
Frequency, coded.....	2013
Full/empty indicator, coded.....	8169
Handling instructions.....	4078
Handling instructions, coded.....	4079
Hazard code identification.....	8351
Hazard code version number.....	8092
Hazard identification number, upper part.....	8158
Hazard substance/item/page number.....	8078
Hazardous material class.....	7418
Hazardous material class code, id.....	7419
Hierarchical ID. number.....	7164
Hierarchical parent ID.....	7166
Id. of means of transport identification.....	8213
Id. of the means of transport.....	8212
Identity number.....	7402
Identity number qualifier.....	7405
Instruction.....	4400
Instruction, coded.....	4401
Instruction qualifier.....	4403
Item characteristic, coded.....	7081
Item description.....	7008
Item description identification.....	7009
<u>Data element name</u>	<u>Tag</u>
Item description type, coded.....	7077
Item number.....	7140
Item number type, coded.....	7143

Language, coded	3453
Line item number.....	1082
Line number.....	1156
Marking instructions, coded.....	4233
Measurement attribute.....	6154
Measurement attribute identification.....	6155
Measurement purpose qualifier	6311
Measurement significance, coded.....	6321
Measurement value	6314
Measure unit qualifier	6411
Message function, coded.....	1225
MFAG.....	8410
Mode of transport.....	8066
Mode of transport, coded.....	8067
Monetary amount.....	5004
Monetary amount type qualifier.....	5025
Name and address line.....	3124
Nationality of means of transport, coded	8453
Number of packages.....	7224
Packaging level, coded.....	7075
Packaging related information, coded	7233
Packaging terms and conditions, coded.....	7073
Packing group, coded.....	8339
Packing instruction, coded.....	8255
Party id. Identification.....	3039
Party name.....	3036
Party name format, coded	3045
Party qualifier	3035
Percentage.....	5482
Percentage basis, coded	5249
Percentage qualifier.....	5246
Permission for transport, coded.....	8211
Place/location	3224
Place/location identification	3225
Place/location qualifier.....	3227
Postcode identification.....	3251
Product Id. function qualifier	4347
Product/service substitution, coded.....	4457
Property measured, coded.....	6313
Quantity.....	6060
Quantity difference	6064
Quantity qualifier.....	6063
Range maximum.....	6152
Range minimum	6162
Reference number	1154
Reference qualifier.....	1153
Reference version number.....	4000
Related place/location one	3222
Related place/location two.....	3232
Related place/location one Id.	3223
Related place/location two Id.....	3233
<u>Data element name</u>	<u>Tag</u>
Relation, coded.....	5479
Response type, coded	4343
Returnable package freight payment responsibility, coded	8395
Returnable package load contents, coded	8393
Revision number.....	1060
Seal condition, coded	4517
Seal number	9308
Sealing party.....	9302

Sealing party, coded	9303
Sequence number	1050
Sequence number source, coded	1159
Set identification qualifier	7297
Shipment flashpoint	7106
Shipping marks	7102
Significant digits	6432
Special conditions, coded	4183
Special service	7160
Special services, coded	7161
Status, coded	4405
Status indicator, coded	1245
Street and number/P.O. box	3042
Sub-line indicator, coded	5495
Substance identification number, lower part	8186
Surface/layer indicator, coded	7383
Terms of delivery or transport	4052
Terms of delivery or transport, coded	4053
Terms of delivery or transport function, coded	4055
Text function, coded	4453
Text subject qualifier	4451
Transit direction, coded	8101
Transport charges method of payment, coded	4215
Transport ownership, coded	8281
Transport stage qualifier	8051
TREM card number	8126
Type of duty regime, coded	9213
Type of marking, coded	7511
Type of means of transport	8178
Type of means of transport identification	8179
Type of packages	7064
Type of packages identification	7065
UNDG number	7124
Version	1056

4.3.4. Data elements in tag sequence

<u>Tag</u>	<u>Data element name</u>	<u>Segment(s)</u>
1000	Document/message name	BGM
1001	Document/message name, coded	BGM
1004	Document/message number	BGM
1056	Version	BGM
1060	Revision number	BGM
1082	Line item number	LIN
1131	Code list qualifier	BGM, DLM, EQA, EQD, FTX, HAN, IMD, LIN LOC, PAC, PCD, PCI, PIA, QVR, SEL, SGP, TDT, TOD
1153	Reference qualifier	RFF
1154	Reference number	RFF
1156	Line number	RFF
1222	Configuration level	LIN
<u>Tag</u>	<u>Data element name</u>	<u>Segment(s)</u>
1225	Message function, coded	BGM
1229	Action request/notification, coded	LIN
2005	Date/time/period qualifier	DTM
2379	Date/time/period format qualifier	DTM
2380	Date/time/period	DTM
3035	Party qualifier	NAD
3036	Party name	NAD
3039	Party id. Identification	NAD
3042	Street and number/P.O. box	NAD

3045	Party name format, coded	NAD
3055	Code list responsible agency, coded..... BGM, DLM, EQA, EQD, FTX, HAN, IMD, LIN LOC, PAC, PCD, PCI, PIA, QVR, SEL, SGP, TDT, TOD	
3124	Name and address line.....	NAD
3127	Carrier identification.....	TDT
3128	Carrier name.....	TDT
3139	Contact function, coded.....	CTA
3148	Communication number.....	COM
3155	Communication channel qualifier.....	COM
3164	City name.....	NAD
3207	Country, coded.....	EQA, EQD, NAD, SGP
3222	Related place/location one.....	LOC
3223	Related place/location one Id.	LOC
3224	Place/location.....	LOC
3225	Place/location identification.....	LOC
3227	Place/location qualifier.....	LOC
3229	Country sub-entity identification.....	NAD
3232	Related place/location two.....	LOC
3233	Related place/location two Id.....	LOC
3239	Country of origin, coded.....	ALI
3251	Postcode identification.....	NAD
3412	Department or employee.....	CTA
3413	Department or employee identification.....	CTA
3453	Language, coded.....	FTX, IMD
4000	Reference version number.....	RFF
4052	Terms of delivery or transport.....	TOD
4053	Terms of delivery or transport, coded.....	TOD
4055	Terms of delivery or transport function, coded.....	TOD
4078	Handling instructions.....	HAN
4079	Handling instructions, coded.....	HAN
4183	Special conditions, coded.....	ALI
4215	Transport charges method of payment, coded.....	TOD
4221	Discrepancy, coded.....	QVR
4233	Marking instructions, coded.....	PCI
4294	Change reason.....	QVR
4295	Change reason, coded.....	QVR
4343	Response type, coded.....	BGM
4347	Product Id. function qualifier.....	PIA
4400	Instruction.....	DLM
4401	Instruction, coded.....	DLM
4403	Instruction qualifier.....	DLM
4405	Status, coded.....	GIR, MOA
4440	Free text.....	FTX
4441	Free text, coded.....	FTX
4451	Text subject qualifier.....	FTX
4453	Text function, coded.....	FTX
4455	Back order, coded.....	DLM
4457	Product/service substitution, coded.....	DLM
4517	Seal condition, coded.....	SEL
5004	Monetary amount.....	MOA
<u>Tag</u>	<u>Data element name</u>	<u>Segment(s)</u>
5025	Monetary amount type qualifier.....	MOA
5246	Percentage qualifier.....	PCD
5249	Percentage basis, coded.....	PCD
5479	Relation, coded.....	LOC
5482	Percentage.....	PCD
5495	Sub-line indicator, coded.....	LIN
6060	Quantity.....	QTY
6063	Quantity qualifier.....	QTY, QVR
6064	Quantity difference.....	QVR
6152	Range maximum.....	MEA
6154	Measurement attribute.....	MEA

6155	Measurement attribute identification	MEA
6162	Range minimum	MEA
6311	Measurement purpose qualifier	MEA
6313	Property measured, coded	MEA
6314	Measurement value	MEA
6321	Measurement significance, coded	MEA
6343	Currency qualifier	MOA
6345	Currency, coded	MOA
6411	Measure unit qualifier	DGS, MEA, QTY
6432	Significant digits	MEA
7008	Item description	IMD
7009	Item description identification	IMD
7064	Type of packages	PAC
7065	Type of packages identification	PAC
7073	Packaging terms and conditions, coded	PAC
7075	Packaging level, coded	CPS, PAC
7077	Item description type, coded	IMD, PAC
7081	Item characteristic, coded	IMD
7083	Configuration, coded	LIN
7088	Dangerous goods flashpoint	DGS
7102	Shipping marks	PCI
7106	Shipment flashpoint	DGS
7124	UNDG number	DGS
7130	Customer authorization number	TDT
7140	Item number	LIN, PIA
7143	Item number type, coded	LIN, PAC, PIA
7160	Special service	DLM
7161	Special services, coded	DLM
7164	Hierarchical ID. number	CPS
7166	Hierarchical parent ID.	CPS
7224	Number of packages	PAC, SGP
7233	Packaging related information, coded	PAC
7297	Set identification qualifier	GIR
7383	Surface/layer indicator, coded	IMD; MEA
7402	Identity number	GIN, GIR
7405	Identity number qualifier	GIN, GIR
7418	Hazardous material class	HAN
7419	Hazardous material class code, id.	HAN
7511	Type of marking, coded	PCI
8028	Conveyance reference number	TDT
8051	Transport stage qualifier	TDT
8053	Equipment qualifier	EQA, EQD
8066	Mode of transport	TDT
8067	Mode of transport, coded	TDT
8077	Equipment supplier, coded	EQD
8078	Hazard substance/item/page number	DGS
8092	Hazard code version number	DGS
8101	Transit direction, coded	TDT
<u>Tag</u>	<u>Data element name</u>	<u>Segment(s)</u>
8126	TREM card number	DGS
8154	Equipment size and type	EQD
8155	Equipment size and type id.	EQD
8158	Hazard identification number, upper part	DGS
8169	Full/empty indicator, coded	EQD
8178	Type of means of transport	TDT
8179	Type of means of transport identification	TDT
8186	Substance identification number, lower part	DGS
8211	Permission for transport, coded	DGS
8212	Id. of the means of transport	TDT
8213	Id. of means of transport identification	TDT
8249	Equipment status, coded	EQD
8246	Dangerous goods label marking	DGS
8255	Packing instruction, coded	DGS

8260	Equipment identification number.....	EQA,EQD, SGP
8273	Dangerous goods regulations, coded.....	DGS
8275	Container package status, coded.....	PCI
8281	Transport ownership, coded.....	TDT
8325	Category of means of transport, coded.....	DGS
8339	Packing group, coded.....	DGS
8351	Hazard code identification.....	DGS
8364	EMS number.....	DGS
8393	Returnable package load contents, coded.....	PAC
8395	Returnable package freight payment responsibility, coded.....	PAC
8410	MFAG.....	DGS
8453	Nationality of means of transport, coded.....	TDT
8457	Excess transportation reason, coded.....	TDT
8459	Excess transportation responsibility, coded.....	TDT
9213	Type of duty regime, coded.....	ALI
9302	Sealing party.....	SEL
9303	Sealing party, coded.....	SEL
9308	Seal number.....	SEL